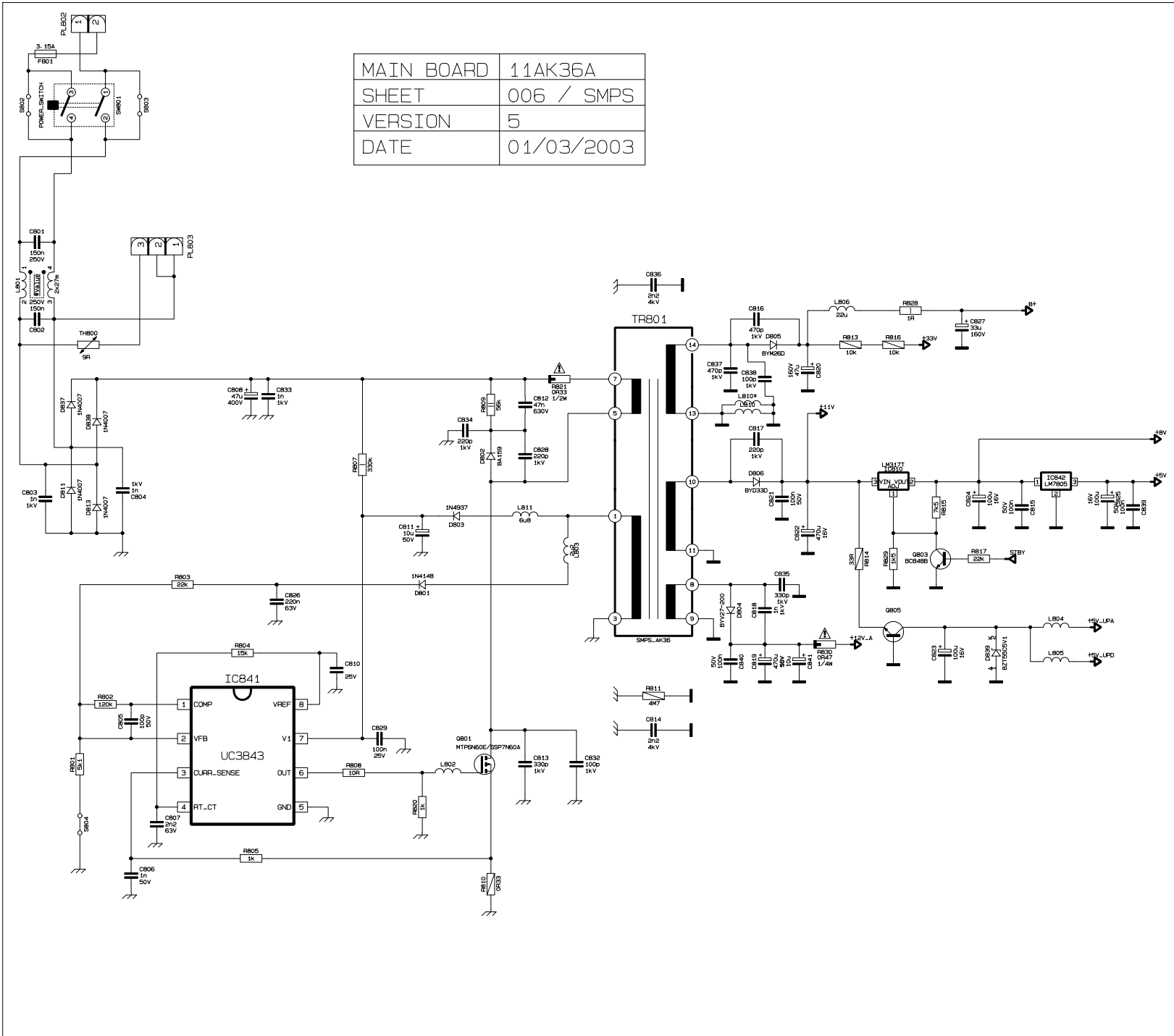
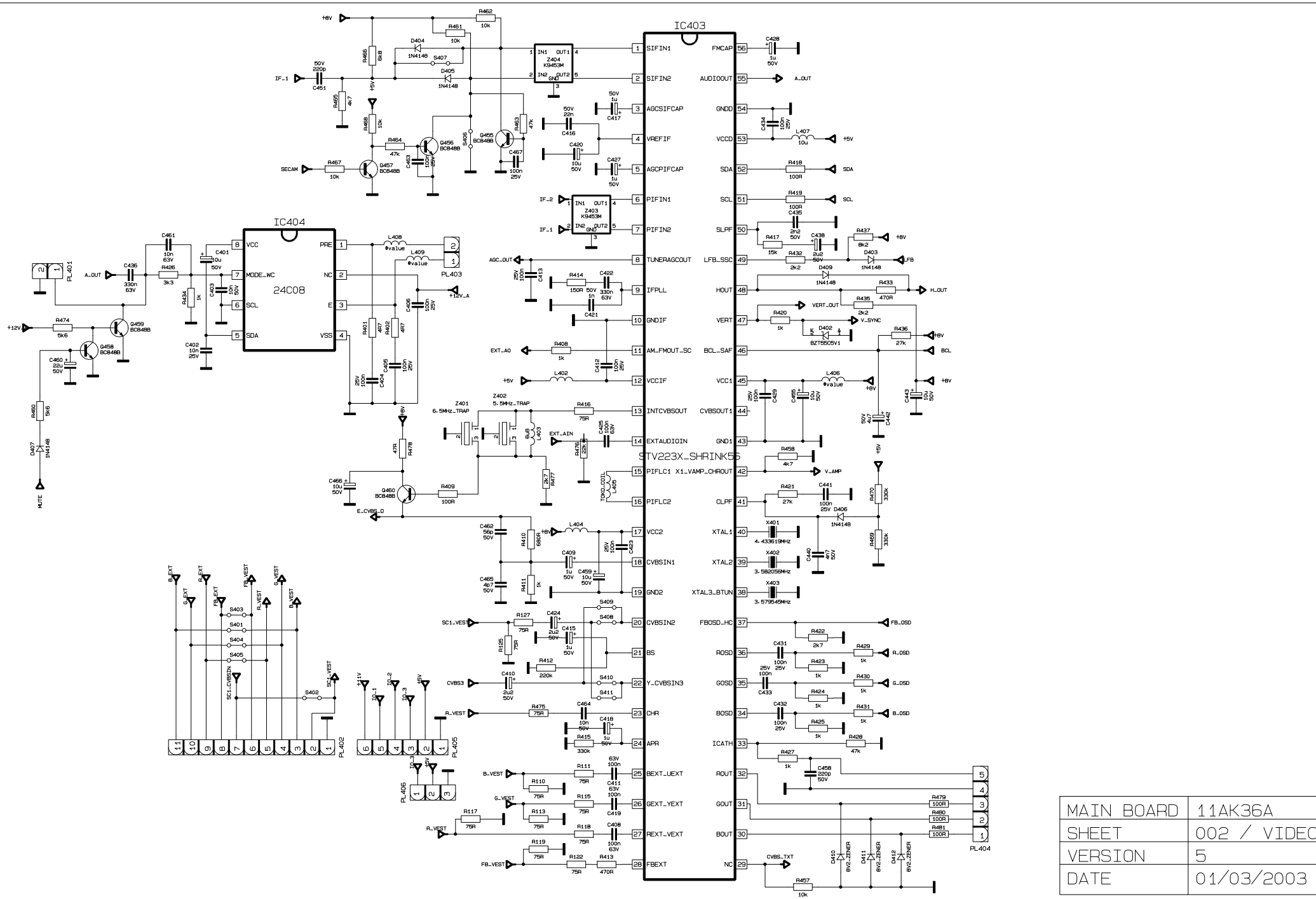
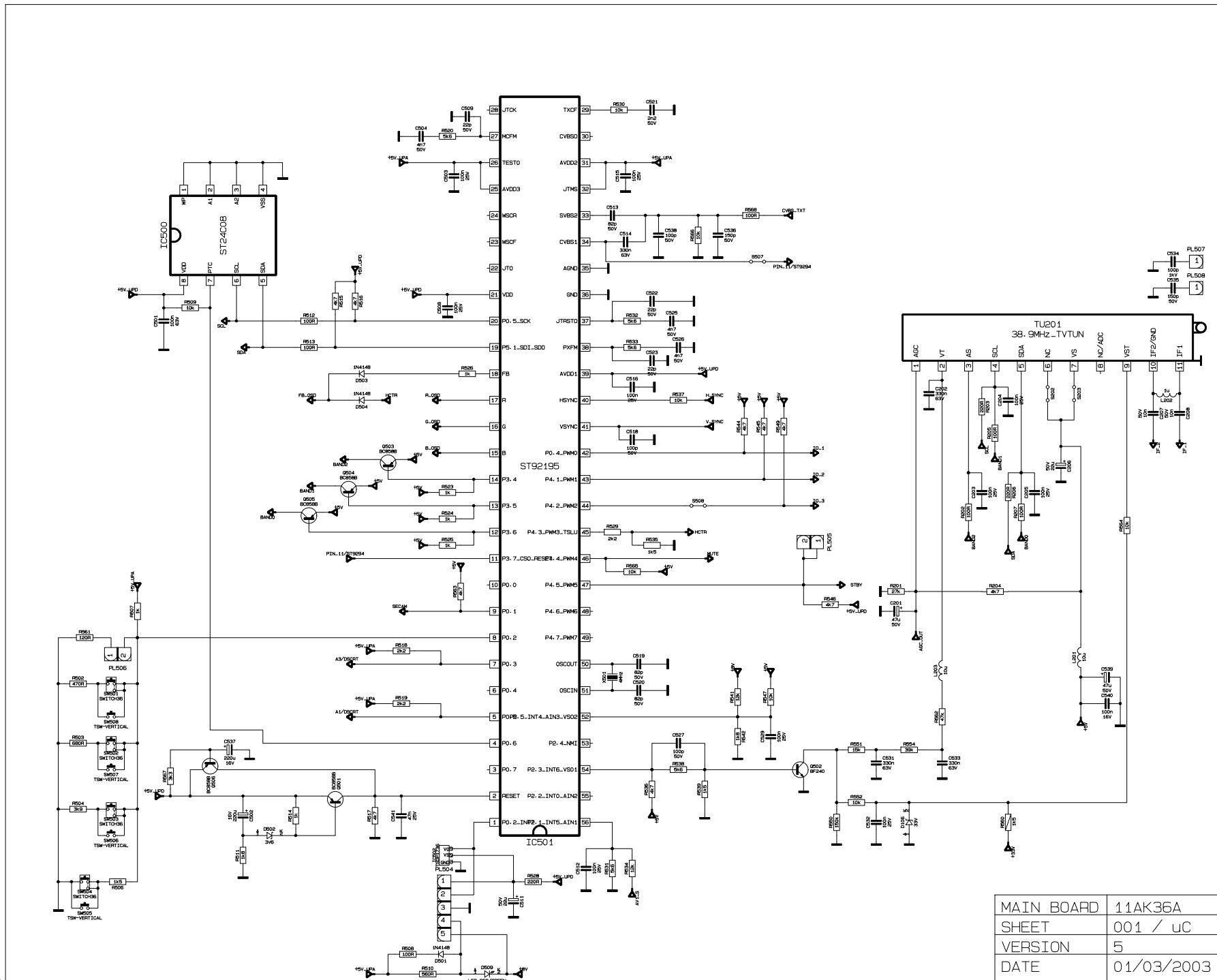


MAIN BOARD	11AK36A
SHEET	006 / SMPS
VERSION	5
DATE	01/03/2003

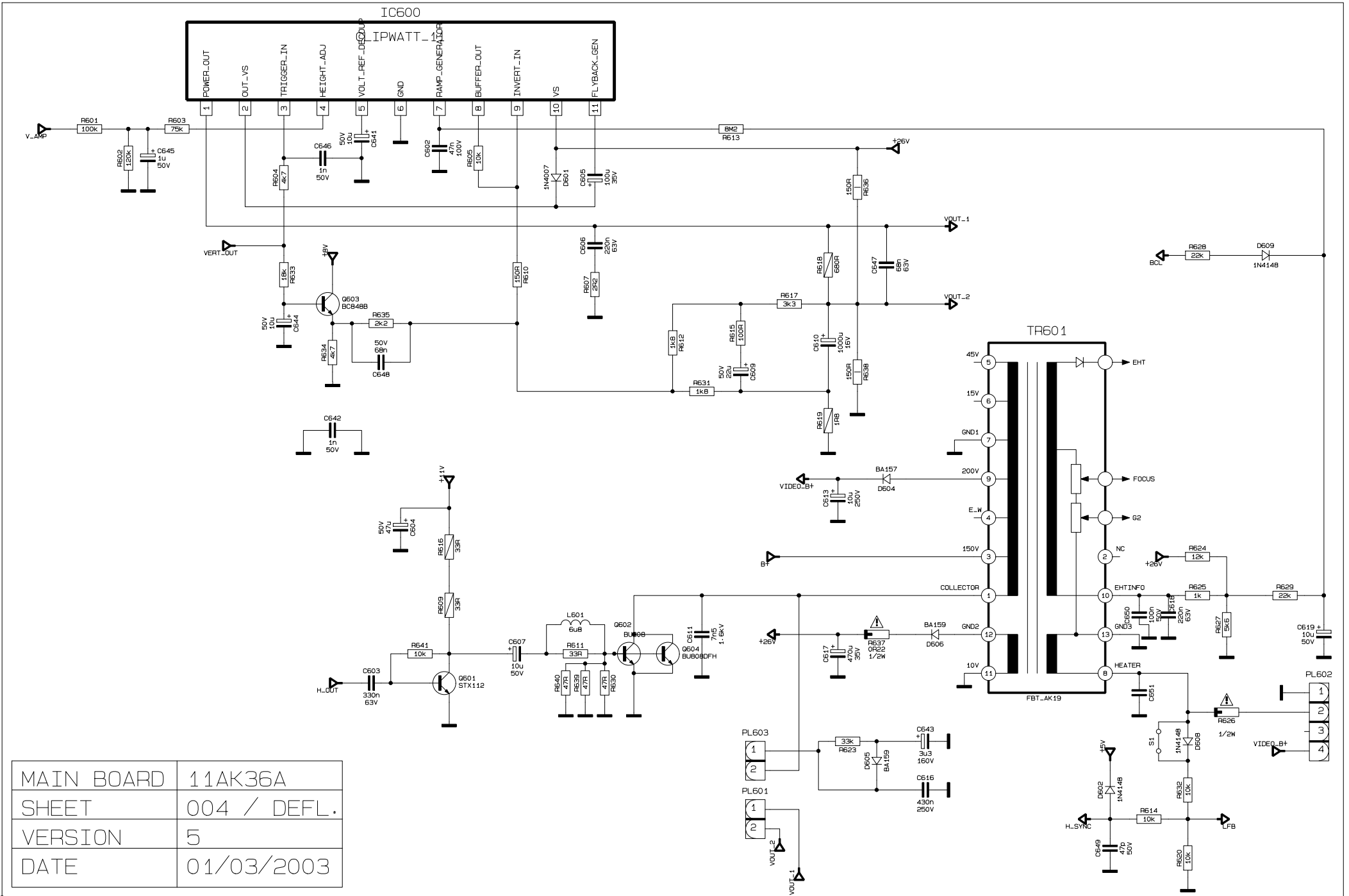




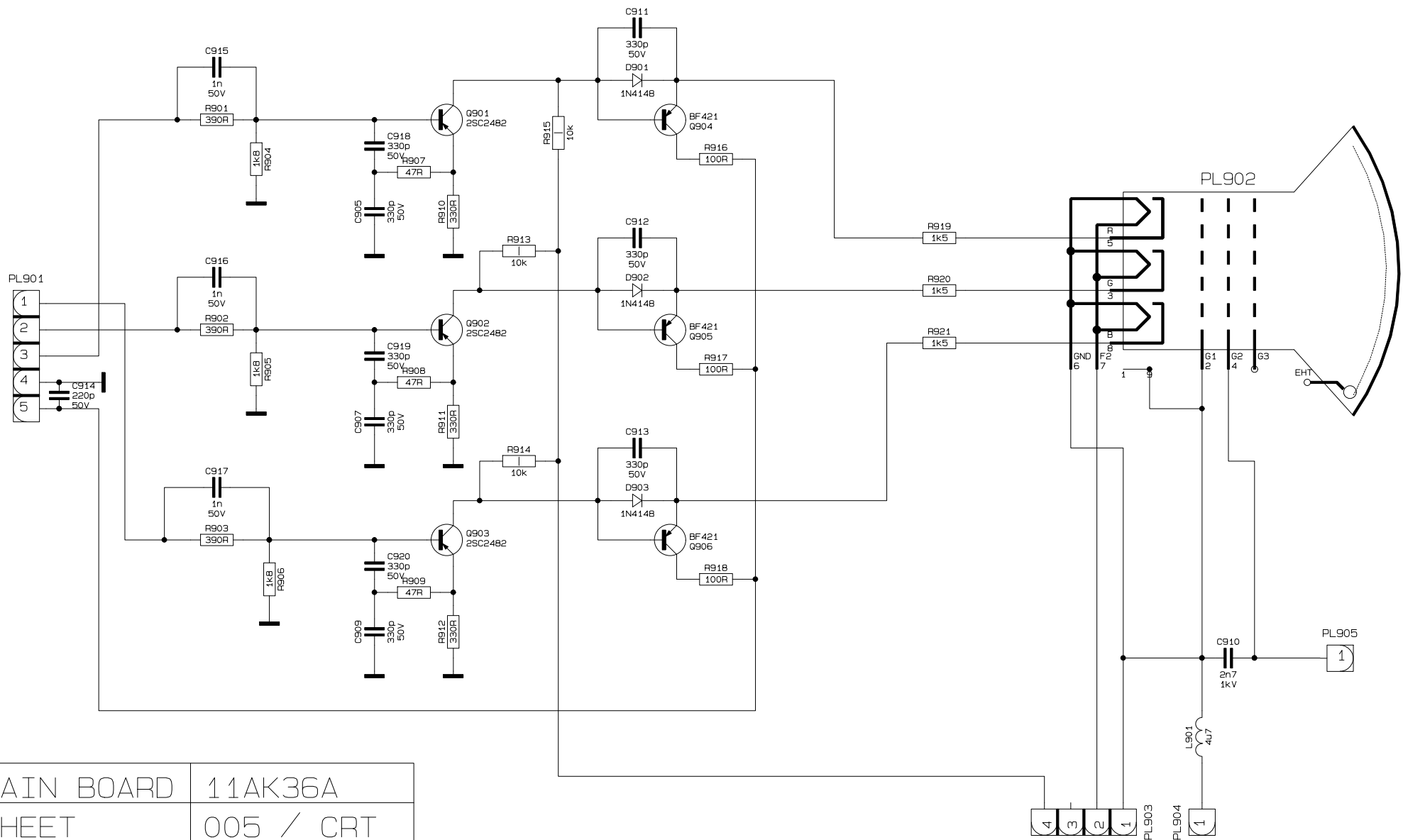
MAIN BOARD	11AK36A
SHEET	002 / VIDEO
VERSION	5
DATE	01/03/2003



MAIN BOARD	11AK36A
SHEET	001 / uC
VERSION	5
DATE	01/03/2003



MAIN BOARD	11AK36A
SHEET	004 / DEFL.
VERSION	5
DATE	01/03/2003



MAIN BOARD	11AK36A
SHEET	005 / CRT
VERSION	5
DATE	01/03/2003

MAIN BOARD	11AK36A
SHEET	003 / PRI
VERSION	5
DATE	01/03/2003

