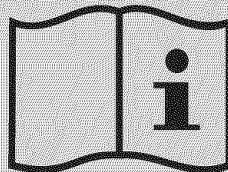
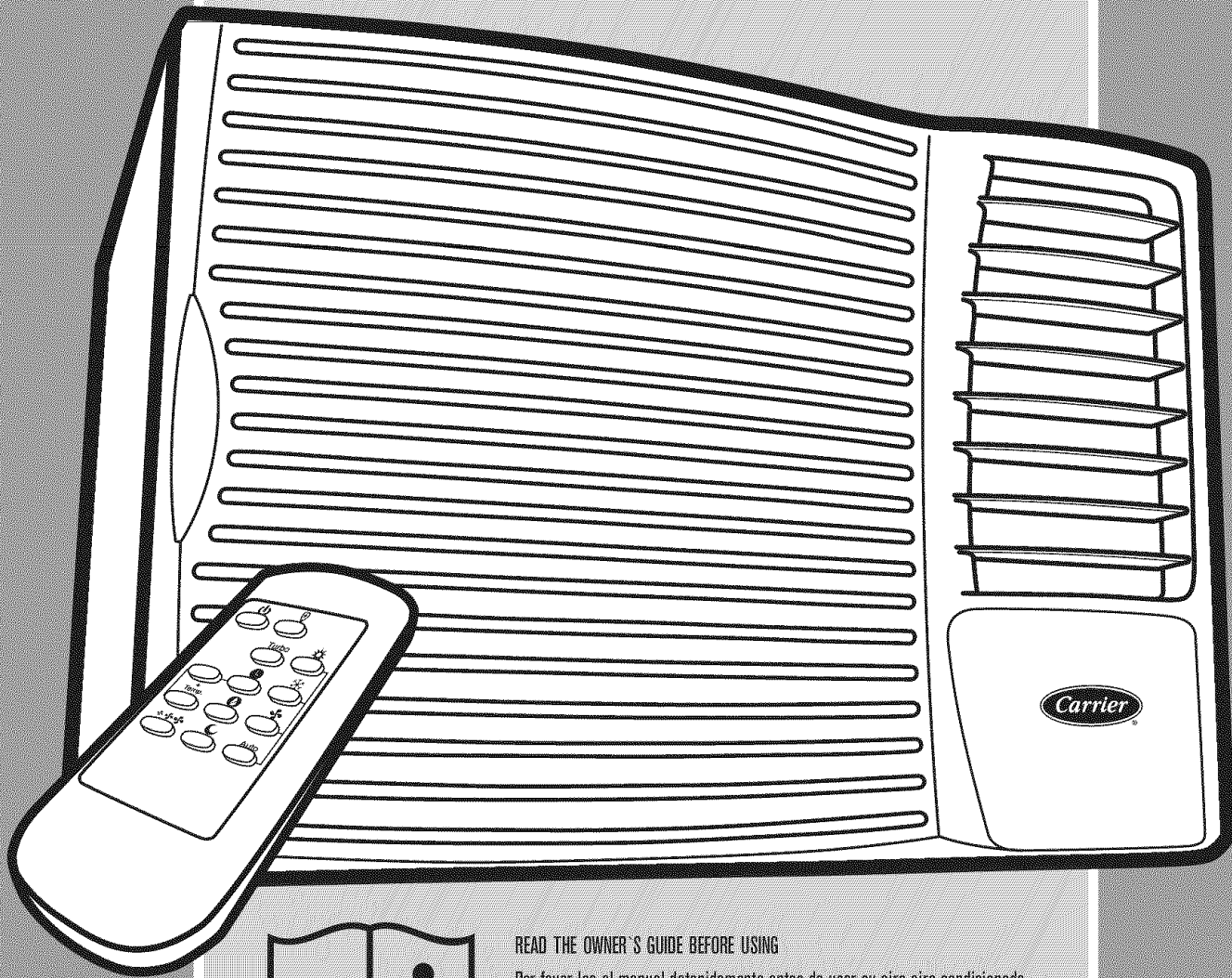




Air Conditioner Owner`s Guide
Acondicionador de Aire Manual del Usuario
Climatiseur Manuel de L'utilisateur



READ THE OWNER'S GUIDE BEFORE USING

Por favor lea el manual detenidamente antes de usar su aire acondicionado.
Nota: Las instrucciones en Español empiezan en la página 26.

Lisez attentivement toutes les directives avant d'installer votre appareil.
Note: Les instructions en Français commencent à la page 50.

MODELS ZC - Cool Only
ZH - Heat Cool
ZQ - Heat Pump

A FEW WORDS ABOUT YOUR NEW AIR CONDITIONER

Thank you for choosing a Carrier Air Conditioner! You can feel confident in your selection because the same pride in craftsmanship and engineering knowledge that went into Carrier equipment installed in the Astrodome in Texas, the Sistine Chapel in Rome; the United States Capitol halls of Congress, and thousands of other installations worldwide has gone into the construction of your unit.

One of the principal advantages of owning a Carrier room air conditioner with electric heat is that the unit heats AND cools, so it can be used year-round! (Only on models with heat feature)

While cooling, your new Carrier unit also filters and dehumidifies. In cold weather, the unit gently heats and circulates air throughout the room. Carrier room air conditioners with electric heat quietly give you maximum cooling comfort!

This Owner's Guide will supply you with all the information you need for installing, operating and maintaining your new unit. Take a few moments to discover how to get the most in cooling comfort and economical operation from your new room air conditioner.

SOME SUGGESTIONS

1. To avoid installation difficulties, read instructions completely before starting. This publication contains information pertinent to the installation and operation of your new room air conditioner.
2. When possible, install unit on a shaded side of the house or building.

CAUTION

Coil fins on chassis are sharp and chassis is heavy. Chassis removal can cause personal injury.

3. Make sure that wall mounting area is structurally sound enough to support the unit.
4. For heat units, the heat is not for primary source of heat.
5. Room air conditioners are designed to fit easily into standard double-hung windows. However, some window frame design variations require changes to modification to the window for safe, proper installation. If assistance is needed, please call your local Carrier Distributor. If there is no distributor in your area, call 1-800-CARRIER (227-7437).

INDEX

INDICE / INDICE



1	RECEIVING THE AIR CONDITIONER	4
2	GETTING ACQUAINTED WITH THE AIR CONDITIONER	5
3	AIR CONDITIONER WITH REMOTE CONTROL	6
4	OPERATING THE ELECTRONIC UNIT WITH THE REMOTE CONTROL	7
5	OPERATING UNIT FROM THE CONTROL PANEL	11
	(WITHOUT THE REMOTE CONTROL)	
6	AIR DIRECTION AND EXHAUST CONTROL	12
7	TIPS TO ACHIEVE MAXIMUM EFFICIENCY AND COMFORT	13
8	WHERE AND HOW TO INSTALL THE AIR CONDITIONER TO	14
	ACHIEVE A BETTER PERFORMANCE	
9	DRAIN SYSTEM OPTIONS	17
10	SAFETY INSTRUCTIONS	22
11	MAINTENANCE AND PRESERVATION	22
12	PRACTICAL SOLUTIONS	24

1. RECEIVING THE AIR CONDITIONER

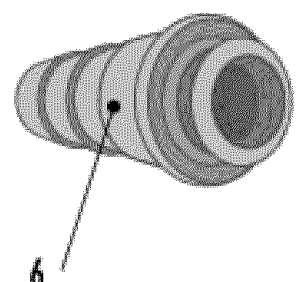
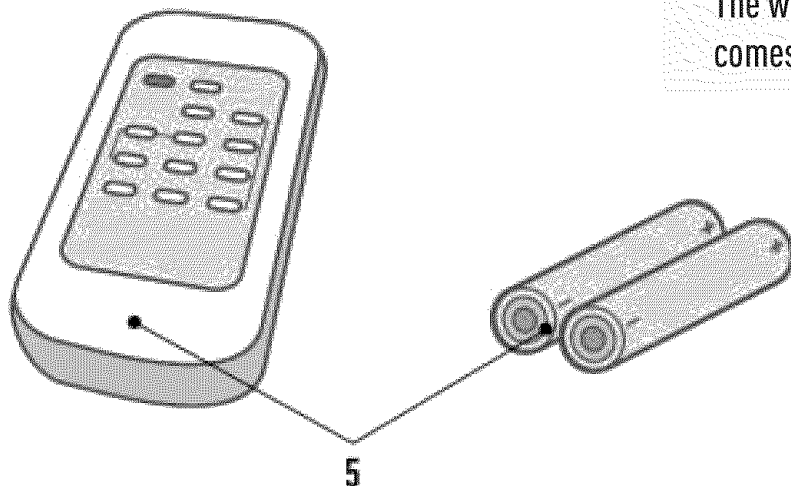
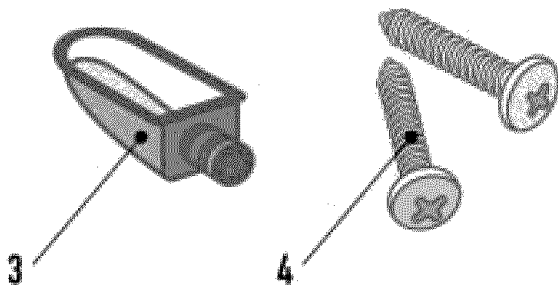
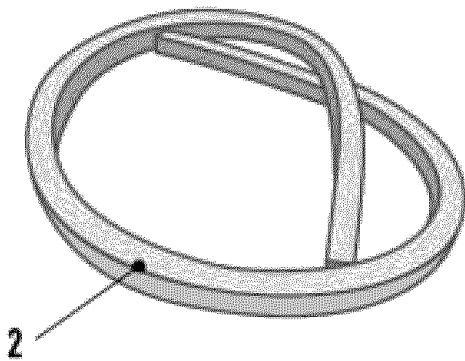
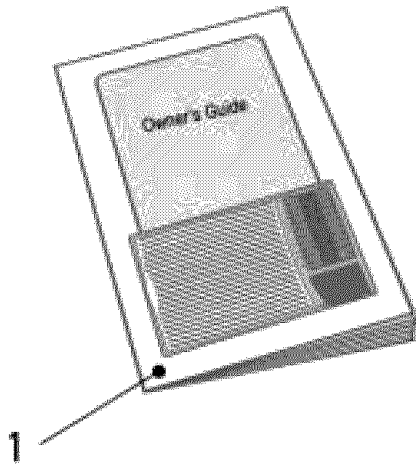
Read the instructions in the User's Manual.

Keep the Manual. It is always useful.

Unpack the unit.

NOTE 😊

For your safety wear gloves.



Check if the unit exterior is in perfect condition.

Check if the items provided with the unit are inside the box.

1 - User's Manual

2 - Seal

3 - Drain pan

4 - Screws (4)

5 - Remote control and batteries

6 - Rear drain

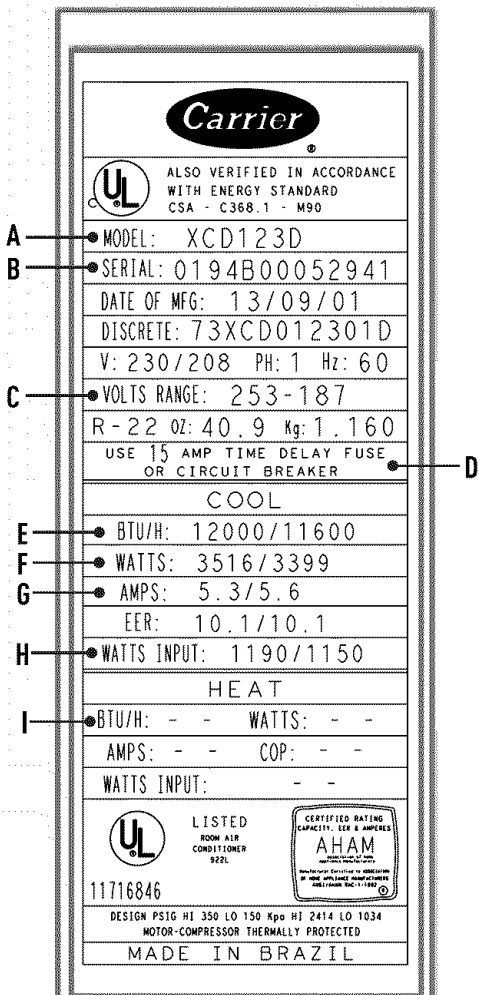
In case there is any damage, or if one of the mentioned items is missing, contact the store that sold it to you.

NOTE 😊

The window installation accessory kit comes with cooling only units.

2. GETTING ACQUAINTED WITH THE AIR CONDITIONER

Check the appliance technical characteristics on the nameplate.

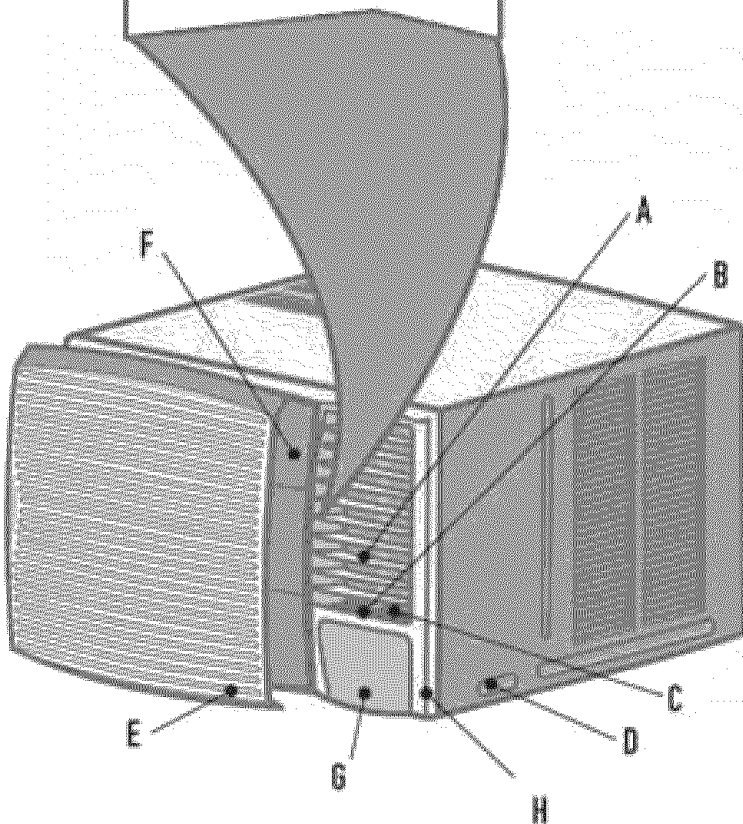


Nameplate

- A - Model
- B - Serial number
- C - Voltage (V)
- D - Circuit Breaker (A)
- E - Cooling capacity (Btu/h and W)
- F - Power consumption (W)
- G - Current (A)
- H - Power efficiency (W/W)
- I - Heating capacity (Btu/h and W)

Cabinet

- A - Horizontal louvers for the air flow
- B - Vertical louvers for the air flow
- C - Air exhaust control
- D - Safety screws (both sides)
- E - Filter cover
- F - Filter
- G - Control panel
- H - Front Grille










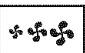

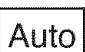


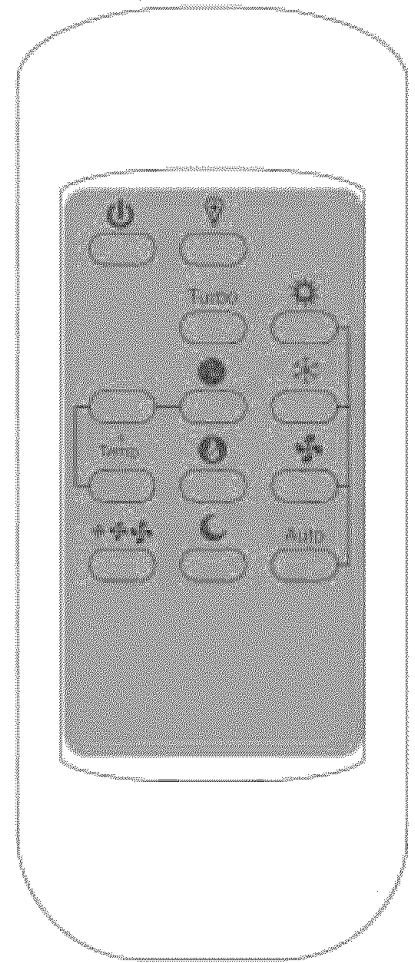
SYMBOLS

	Ground
	Caution
	Risk of electric discharge
	Fuse
	Read the manual before using

3. AIR CONDITIONER WITH REMOTE CONTROL

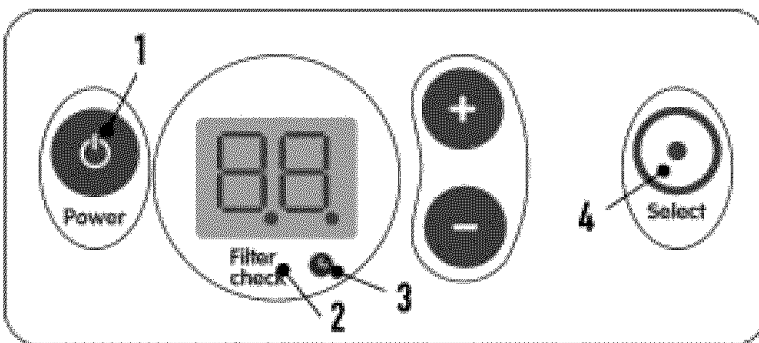
Remote control

-  On/Off
-  Energy Saver
-  Turbo mode
-  Heating mode
-  Temperature and Timer adjustment
-  Timer
-  Cooling mode
-  De-humidification mode
-  Fan mode
-  Speed setting
-  Sleep mode
-  Auto mode



Control panel

Main display (indicates the selected temperature or mode)



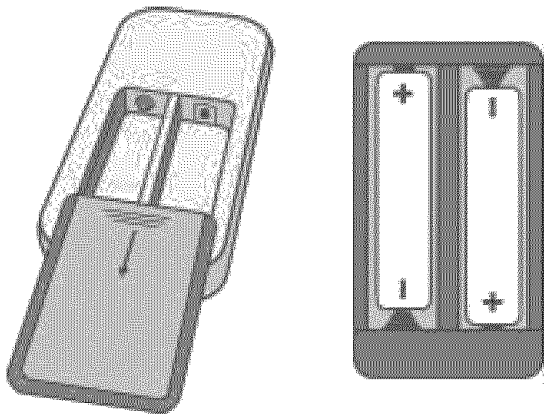
- 1 - On/Off
- 2 - Filter cleaning indicator
- 3 - Timer on indicator
- 4 - Selector

NOTE

In order to change the temperature unit from Celsius to Fahrenheit degrees, or vice-versa, simultaneously press the Select button and (+) for 3 seconds on the control panel.

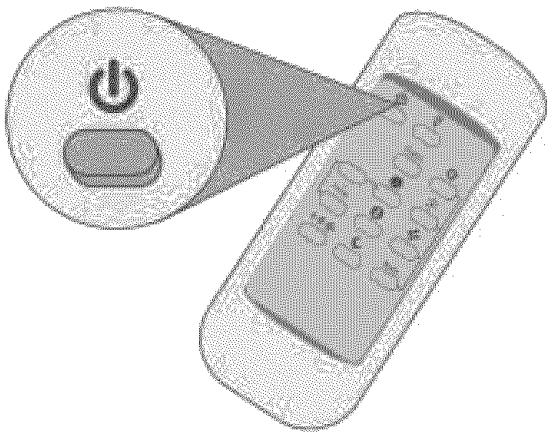
4. OPERATING THE ELECTRONIC UNIT WITH THE REMOTE CONTROL

Insert two 1.5 V AAA batteries (supplied with the electronic model unit), opening the cover on the rear of the remote control.



The battery useful life is around one year.
Use only new batteries. Use only specified batteries.

To turn on or off the unit, press the On/Off button.

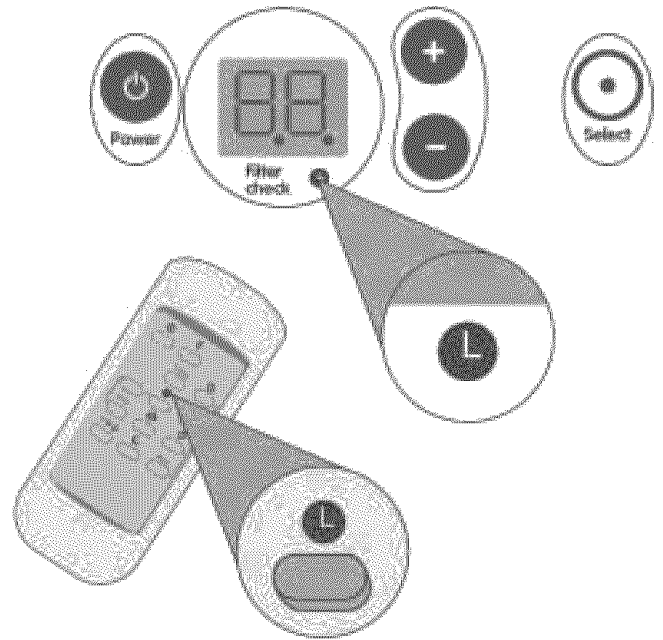


NOTE



The unit "beeps" every time an operation is activated.

Timer operation, turn the unit off or on at a **determined time** (from 1 to 12 hours), press the Timer button. If the unit is off, after the programming, it will turn on at the end of the set time. If it is on, it will turn off at the end of the period.



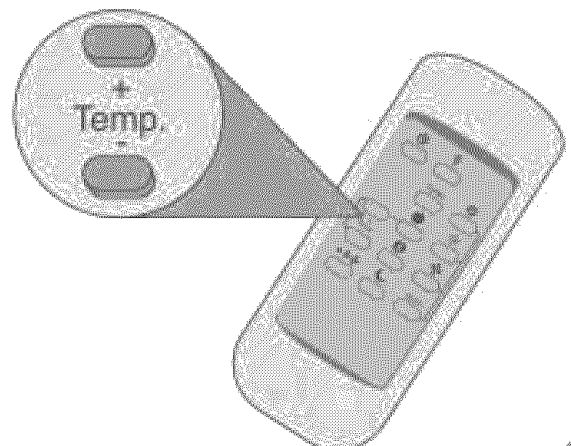
When this function is activated, the corresponding indicator remains lit on the panel.

NOTE

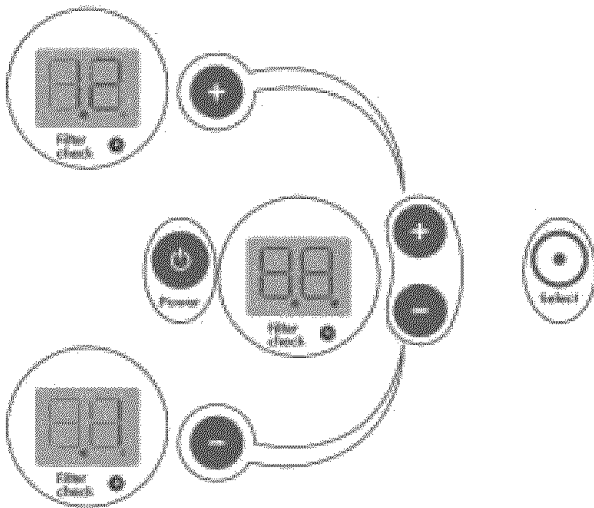


The unit display will turn off 5 minutes after the mode is activated, and the Timer indicator will remain lit.

In order to set the time to turn on and off, press the buttons (+) or (-) until the desired time (in number of hours) is achieved.



These buttons set the time hour by hour, up to 12 hours.

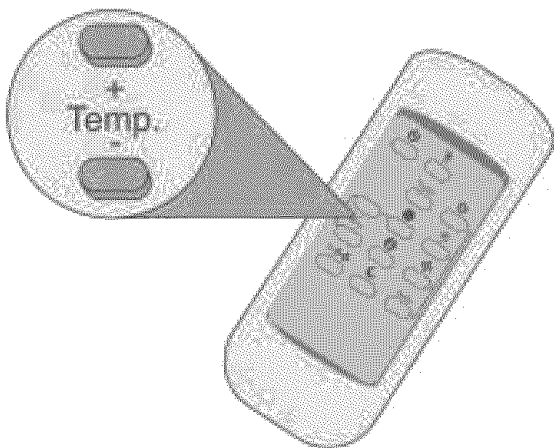


NOTE



To cancel this function, press the Timer button again, and set the time to zero.

To increase or reduce the temperature in the room, press the buttons (+) or (-), as required.

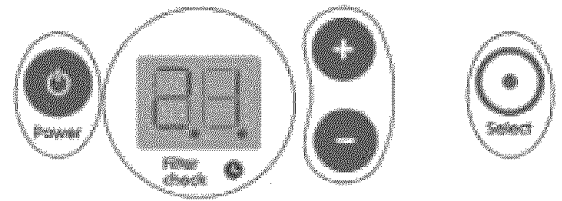


NOTE

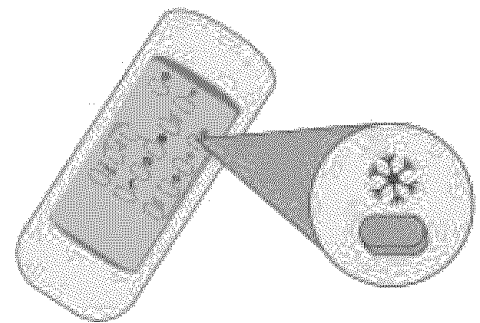
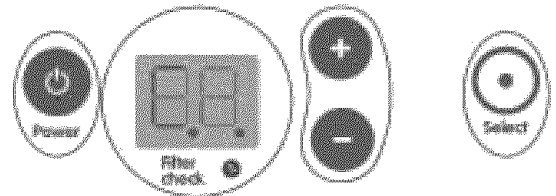


The temperature ranges from 18°C / 65°F to 32°C / 90°F. To set the maximum or the minimum, the unit beeps twice.

To display the room temperature, press buttons (+) and (-) simultaneously for 3 seconds.



To cool, press the Cooling mode button.



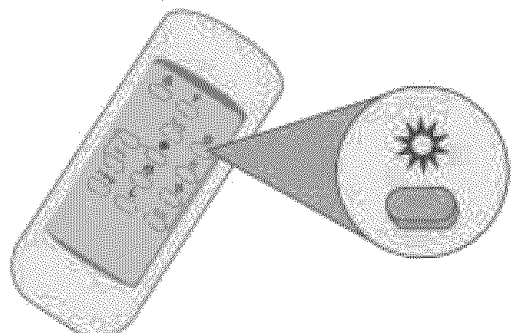
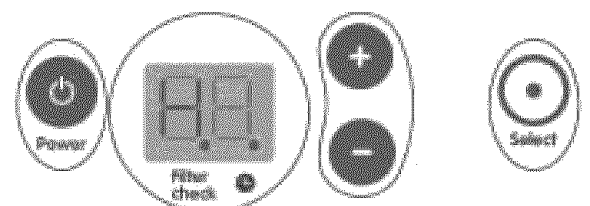
When this function is activated, the letter C is displayed on the panel.

To heat, press the Heating function button.

NOTE

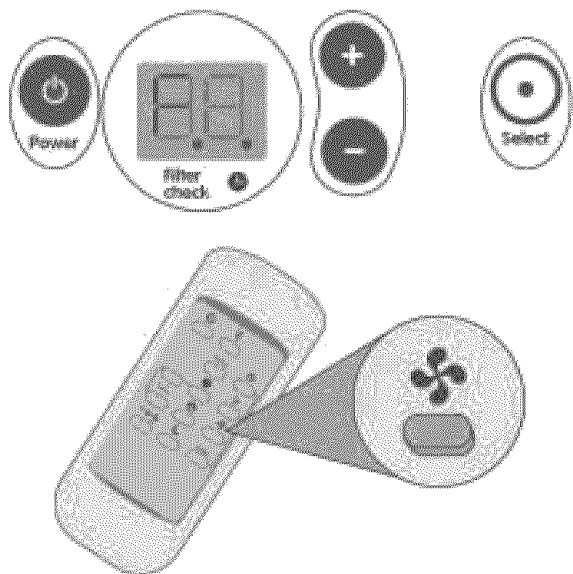


Only for models with heat feature.

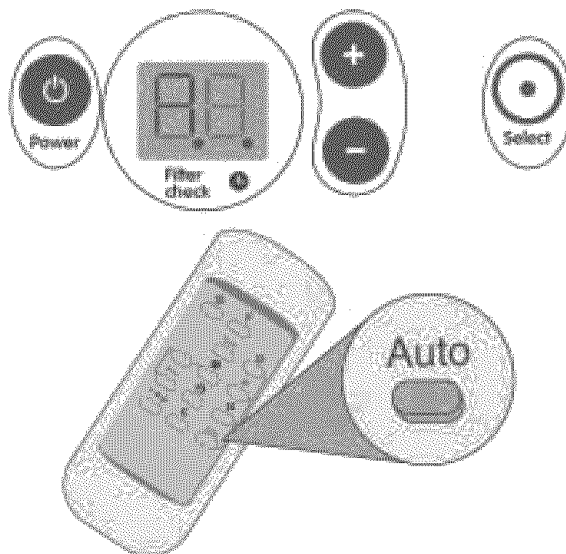


When this function is activated, the letter H is displayed on the panel.

In order to circulate air (without cooling or heating), press the Fan button.



To automatically adjust the unit according to the room temperature variations, alternating between cool and heat and high, medium or low speed, activate the Auto mode.



NOTE

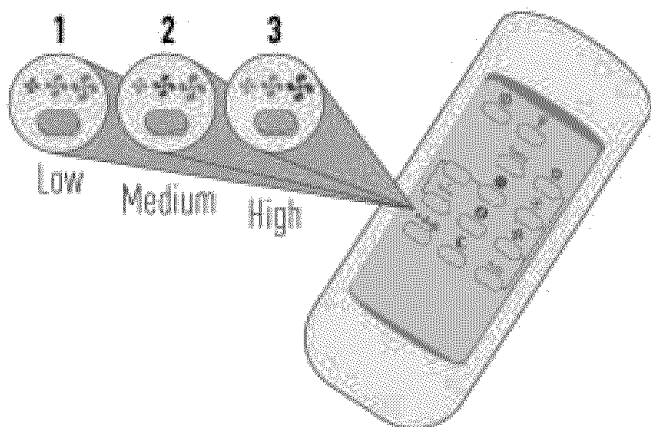


The Fan Function only circulates the air in the room.

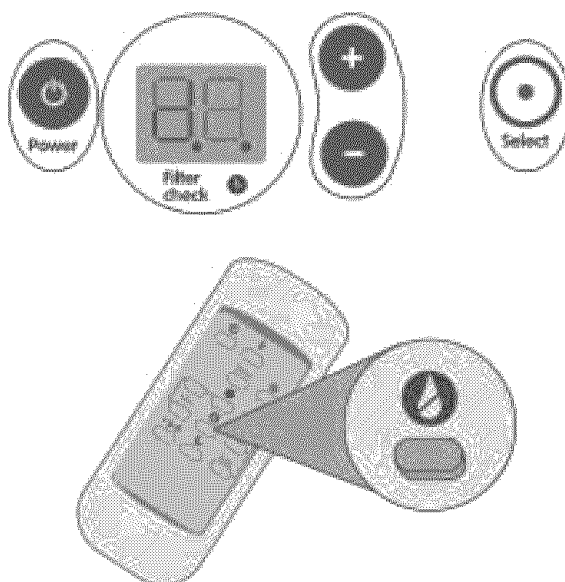
When this function is activated, the letter **F** is displayed on the panel.

When this function is activated, the letter **F** is displayed on the panel.

To set the fan speed, press the fan speed button.

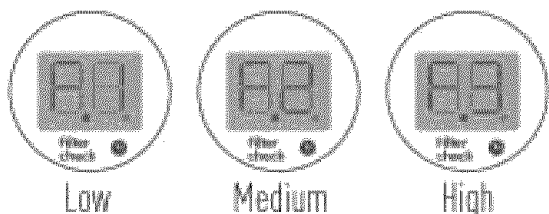


To eliminate the air humidity in the room, press the De-humidification button. This function gradually removes the room humidity, with little changes to the temperature, providing more comfort.



The speed can be selected among one of the three existing levels.

The selected speed (air flow) will be indicated on the control panel as follows:

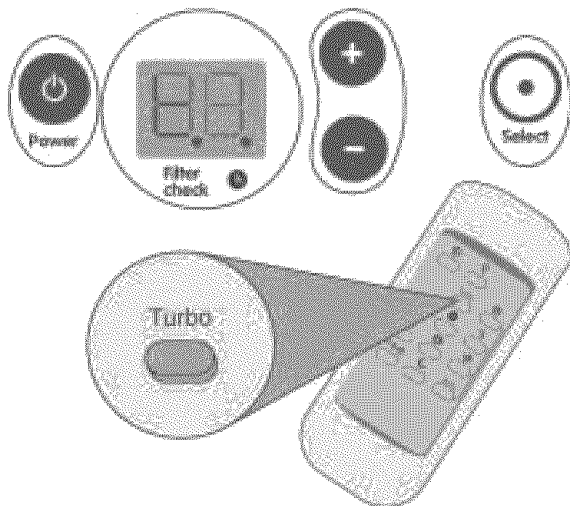


When this function is activated, the letter **d** is displayed on the panel. The unit will always operate in low cooling.

In order to cool or heat the room quickly, set the temperature as desired, and press the Turbo mode button.

When this function is activated, the letter T is displayed on the panel.

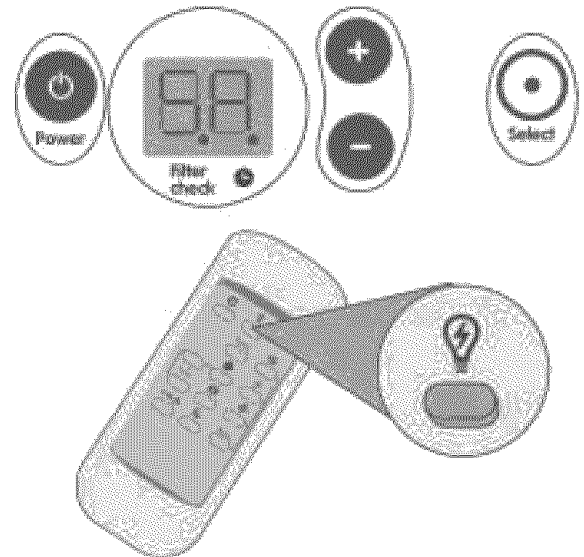
The Turbo function will turn off as soon as the selected temperature is reached, and from then on, it will operate in last selected mode.



NOTE 

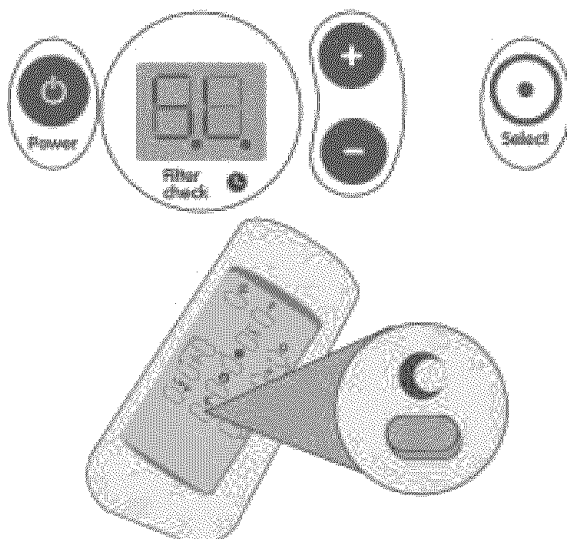
The unit display will turn off 5 minutes after the mode activation, and the Timer indicator remains.

To save power, press the Energy Saver button.



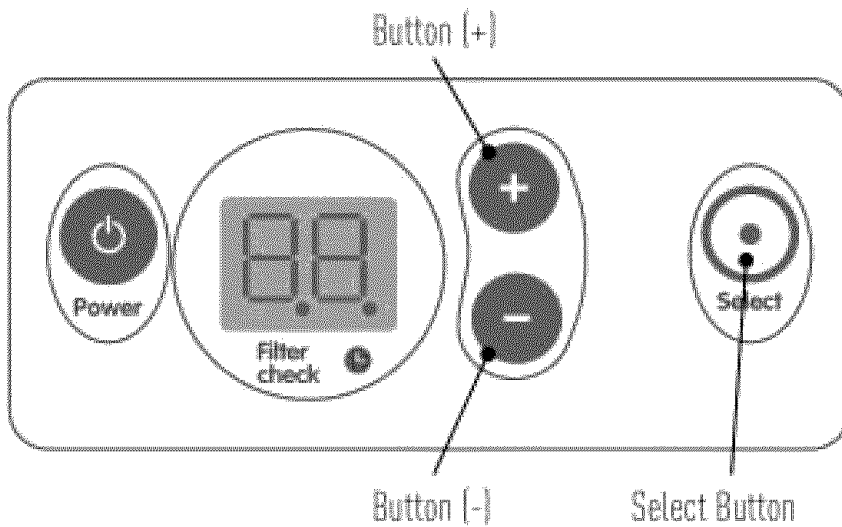
To automatically set the room temperature during sleep time, providing more cost-effectiveness and comfort, activate the Sleep mode.

After this mode is activated, the unit will increase (in cooling) or decrease (in heating) the set temperature in 1°C / 2°F per hour, during the first two hours, remaining at this temperature for more than 6 hours. When the total 8-hour period has elapsed, the unit will return to the initial temperature. On the display, SL will appear (sleep - to sleep).



The Energy Saver function reduces the consumption of power, turning off the fan when the compressor or resistance is off. The function is activated and deactivated by means of the remote control. When the function is activated, the display exhibits the acronym SA.

5. OPERATING UNIT FROM THE CONTROL PANEL (WITHOUT THE REMOTE CONTROL)



To select any one of the functions on the unit, press the Select button once, and the function programmed will appear on the display. Then, press the button (+), or the button (-), until achieving the desired function. Release the button, and the unit will take on this new programming.

Display

F - Fan

C - Cooling

d - De-humidification

R - Auto (Automatic)

H - Heating (only for HOT/COOL models)

E - Turbo

SL - Sleep

SA - Energy Saver

Next, the desired temperature can be set using the buttons (+), or (-).

To change the fan speed, press the Select button twice, and the display will exhibit the programmed speeds, that is, F1, F2 or F3. Then, press the button (+), or the button (-), until achieving the new speed. Release the button, and the unit will take on this new programming.

6. AIR DIRECTION AND EXHAUST CONTROL

Four way air flow provided by the mobile **louvers**.

When the **vertical louvers** are moved, the air flow is directed to the **left** or to the **right**.

When the **horizontal louvers** are moved, the air flow is directed **up** or **downwards**.

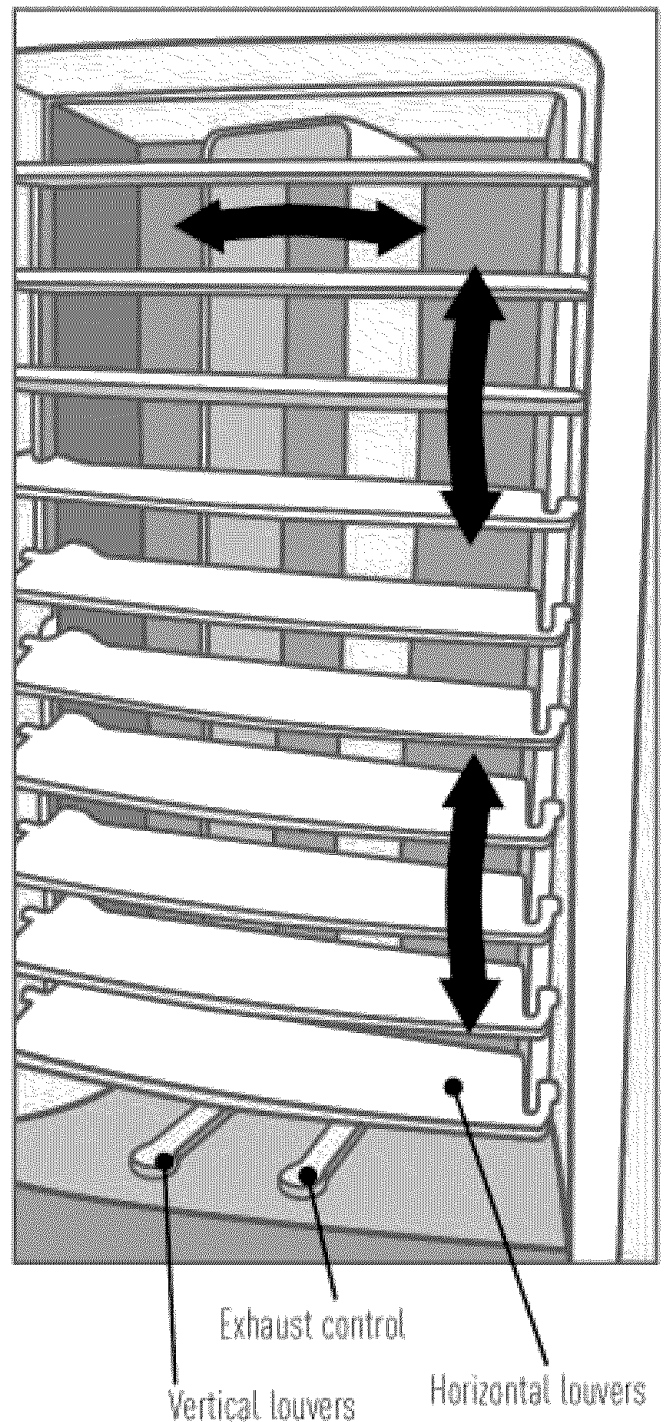
The air exhaust control is made through the device located next to the louvers.

IMPORTANT



The Exhaust function allows removing the used air, smoke, and odors from the room and sending them to the outside.

The use of exhaust control with the unit in cooling or heating reduces the unit efficiency. Therefore, we recommend to use it, whenever necessary, in the Fan function.



7. TIPS TO ACHIEVE MAXIMUM EFFICIENCY AND COMFORT

Keep the air filter clean, and do not turn on the unit without the air filter.

Do not wait until the room temperature gets too low or too high. Turn on the unit before that.

Do not exaggerate in the temperature intensity (too hot or too cold).

Exaggerated temperatures waste energy.

When turning on the air conditioner, keep doors, windows and curtains closed.

These precautions increase the unit efficiency, and reduce the power consumption.

Before sleeping, set the unit to low speed in order to reduce the noise level.

Do not use the air conditioner to dry clothes, to preserve food, and nor to acclimatize environments for animals or plants.

During long periods when the air conditioner is not used, turn it on for some minutes once a month. If the model is HEAT /COOL, turn it on in heating mode.

The air conditioner has been designed to operate within the following voltage and temperature conditions.

Voltage	Minimum	Maximum
Nominal		
115V/60Hz	104V	127V
208-230/60Hz	187V	253V

MAXIMUM OUTSIDE TEMPERATURE
Coolingmaximum 109°F (43°C)

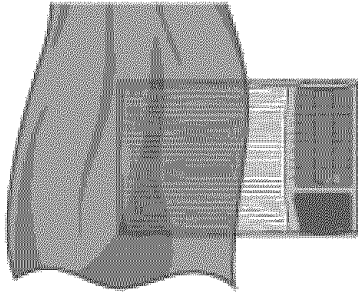
NOTE



For the heating mode on the heat pump models, the electrical heater starts operating. When the outside temperature drops below 45° F (7° C).

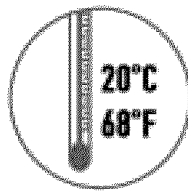
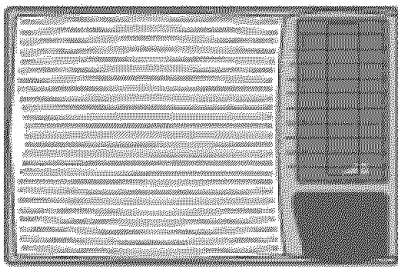
8. WHERE AND HOW TO INSTALL THE AIR CONDITIONER TO ACHIEVE A BETTER PERFORMANCE

1. Never obstruct the air circulation of the unit installing it behind curtains, furniture or partition walls.



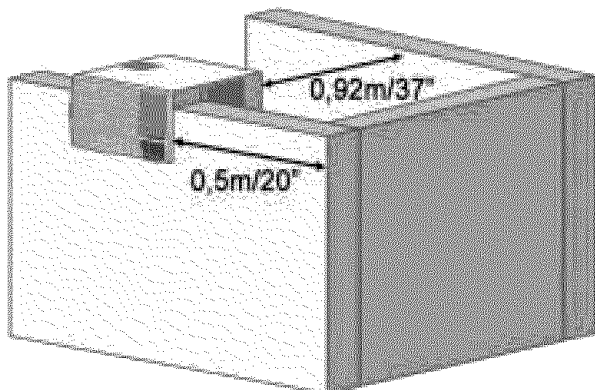
2. Try to install the unit on a wall directed toward the east, because the sunrays are less intense.

3. Avoid using this unit in Cooling with inside temperatures lower than 20°C / 68°F, so that the ice does not accumulate in the inside heat exchanger.

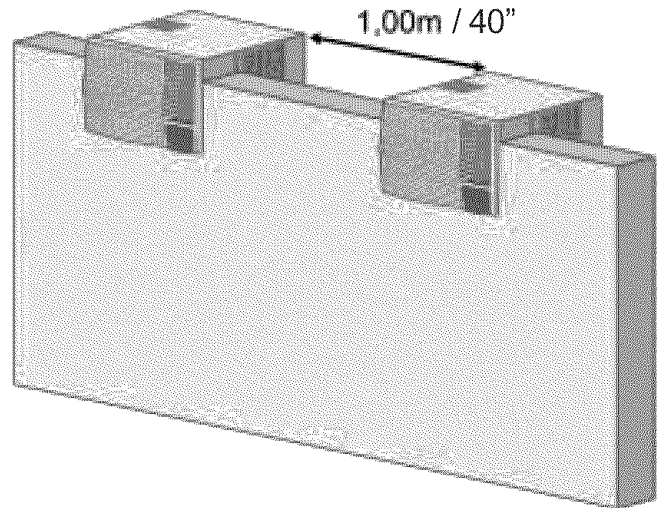


4. Install the air conditioner facing the largest free area.

5. Pay attention to the minimum distances between the external surface of the unit and the wall near it.



6. Comply with the minimum distance required for the installation of more than one unit on a same wall.



7. Avoid installing the outside surface of the air conditioner turned to closed environments as roof boards, garages, etc, the outside temperature might go over the maximum operating temperature and damage the unit.

8. Whenever you want to change from Cooling to Heating, or vice versa, turn off the appliance, and wait for 3 minutes before turning it on again.

NOTE



The electronic models have an automatic protective device that allows restarting the compressor only 3 minutes after the shutdown.

9. In case of power outage, turn off the air conditioner immediately, and turn it on again only 1 minute after the power is re-established. This procedure will prevent voltage variations that can cause damage to the compressor.

10. Do not use the circuit breaker as an On-Off switch. The circuit breaker is the main safety device of the electric circuit.

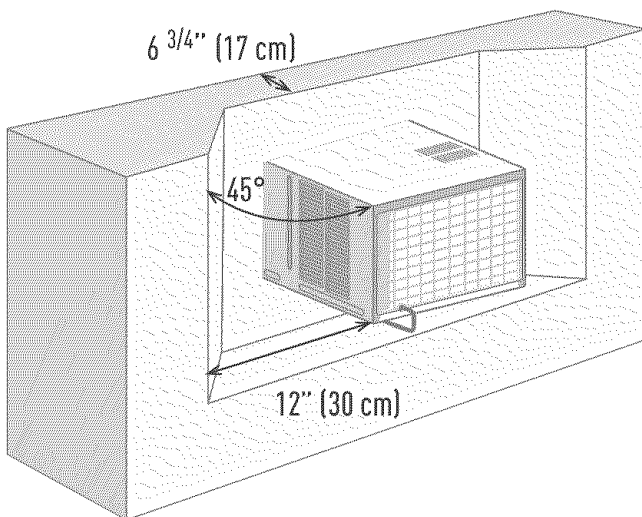
THROUGH-THE-WALL INSTALLATION

NOTE



Window installation GW 05825004 instructions come with the window accessory kit only for ZC models. It is available as an accessory for ZH and ZQ models.

Through-the-wall installation can be made in wood frame or masonry walls. The casing must be tipped to the outside to aid in draining condensate. The installation should be weatherproofed outside and finished inside. Installations in wood framed or masonry walls can be made using the casing as follows. Fasten the casing directly to masonry or studding using masonry or woodscrews. Adjust the outward tip front to rear, so it drops from 3/16 to 3/8-in. (5-10-mm). If wall thickness overlaps the side louver in unit casing, make wall opening wider, as shown in Fig. below. If wall projects beyond back of unit, use baffles on rear corners of casing.



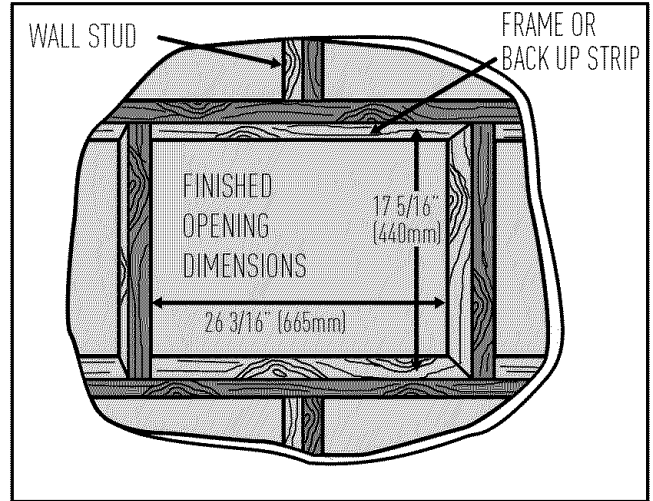
CAUTION



Good framing construction practices must be followed to ensure a safe, secure and properly installed unit.

Cut opening in wall. For dimensions see Fig. below.

Frame opening in wall. For wood framing, provide a wooden framing support or other approved structure for fastening casing to wall. See Fig. for typical wood framing.



Typical wood framing

For masonry framing, use a lintel to support wall above opening. Mouting angles are sometimes assembled to casing. Be sure to size the wall opening to provide clearance for metal thickness of casing and mouting angles if they are used. If mounting angles are to be used with casing, position angles as follows:

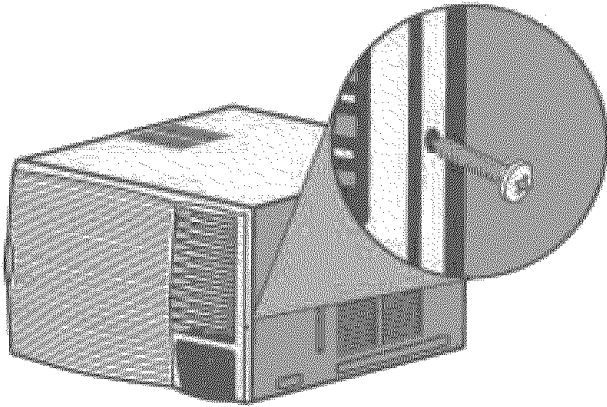
1. Flush with unfinished wall - plaster over or use decorative molding.
2. Against finished wall - use decorative molding.
3. Inside wall opening - use decorative molding.

INSTALL CASING IN WALL

NOTE

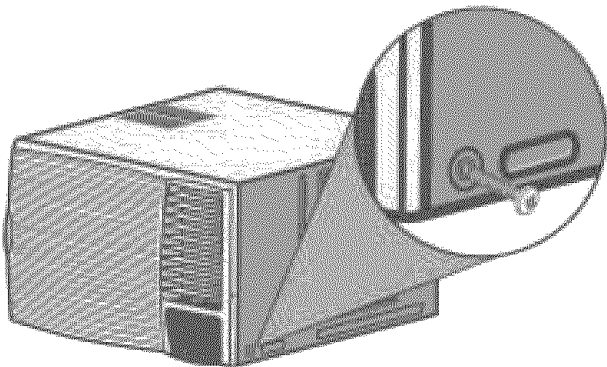
Unit casing should project $\frac{1}{2}$ " (13mm) in to room to ensure proper fit of decorative grille.

Remove the two screws that hold the plastic front (one at each side).

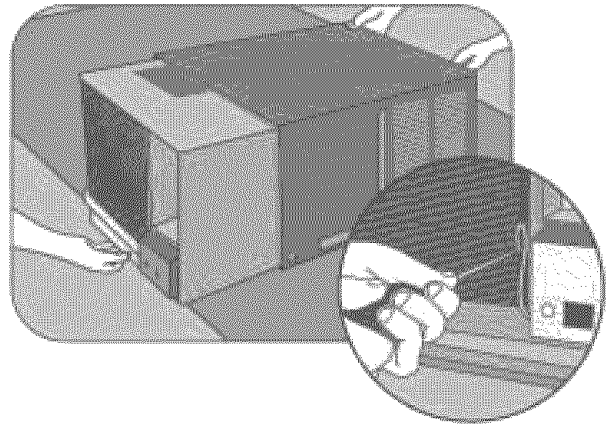


Remove the plastic front.

Remove the safety screw.



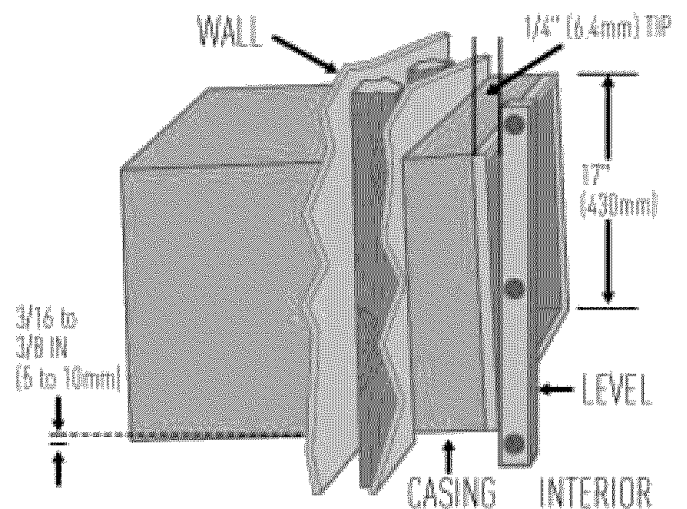
Be careful not to be injured by the metal parts.



Disconnect the ground wire and remove the unit from the wrapper pulling it by the bottom.

Tip casing to outside. Tip is necessary for draining condensate to the rear of the basepan, to allow for excess condensation run-off. The tip also helps to prevent leakage into the room by allowing excess water to drain away from the building.

The recommended outward tip is $\frac{3}{16}$ to $\frac{3}{8}$ in. (5 to 10 mm) from inside to outside. This means that back of casing outside the room must be $\frac{3}{16}$ to $\frac{3}{8}$ in. (5 to 10 mm) lower than the front edge inside room.



IMPORTANT



If unit is installed where condensate drainage from the back of the unit can drip onto pedestrians or neighboring property, use the external drain kit supplied with the unit. See installation instructions on drain kit. - Step 9.

Hold tip angle and mark with chalk the location of screw holes to be drilled in each side of the casing for fastening in wall opening.

Drill 3 screw holes in each side of wood frame.

Recheck outward tip.

NOTE



Chassis is heavy. Obtain help when lifting to avoid personal injury.

9. DRAIN SYSTEM OPTIONS

The conditioner comes with the two drain holes closed by plugs.

The conditioner is projected to use one of the three function options:

- 1) No drain connection. That way provides the most efficiency operation, but has splash noise, dripping of rain water or condensate water.
- 2) Rear drain, which provides a good efficiency for operation and very low splash noise, or
- 3) Drain pan, which captures the most condensate and does not have splash noise, but has lower efficiency operation. Both the rear drain and the drain pan can be connected to a hose and directed to a convenient location on the ground, or a suitable floor drain.

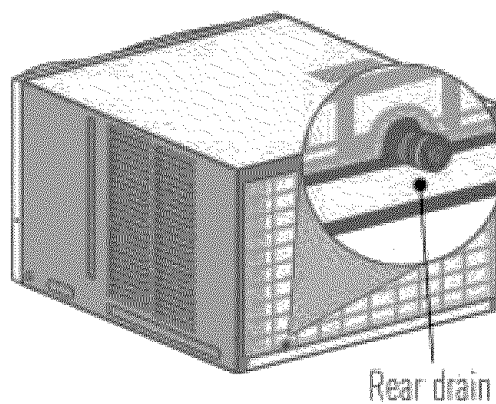
Install the draining system for the condensing water before positioning the unit in the cabinet. You must use one of the two existing systems, depending on how, and where the unit will be installed.

9.1 DRAINING SYSTEM THROUGH THE REAR OUTLET

NOTE

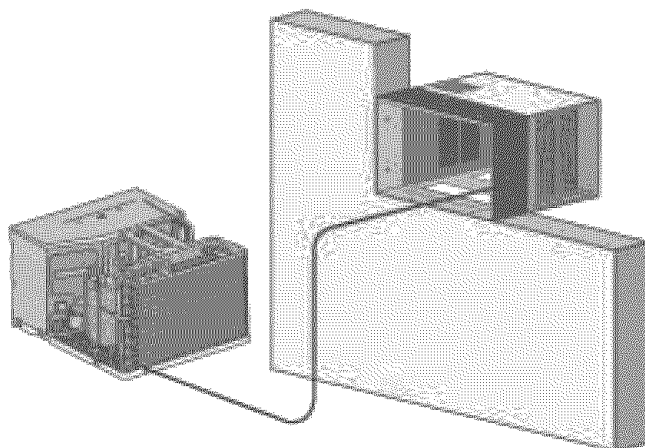


Remove the rear plug from the unit, and install the drain (item 6, page 4).



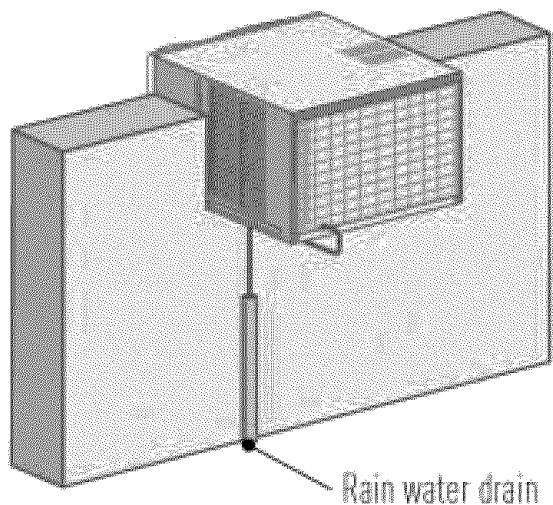
Pass a 5/8" (15,9 mm) plastic hose through the hole located on the rear of the cabinet.

The hose must be long enough to reach the rain water drain.

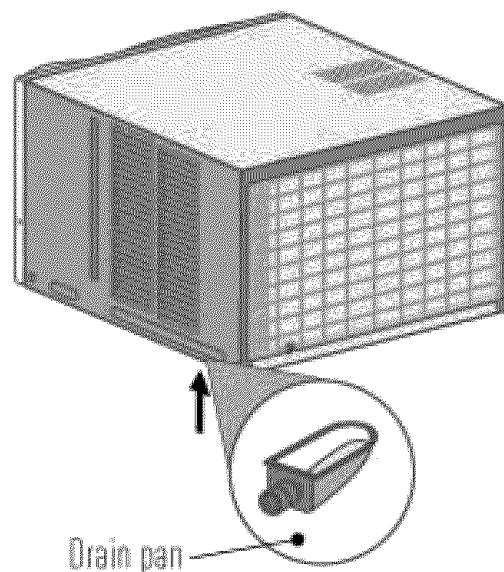


Install one of the hose ends at the drain outlet.

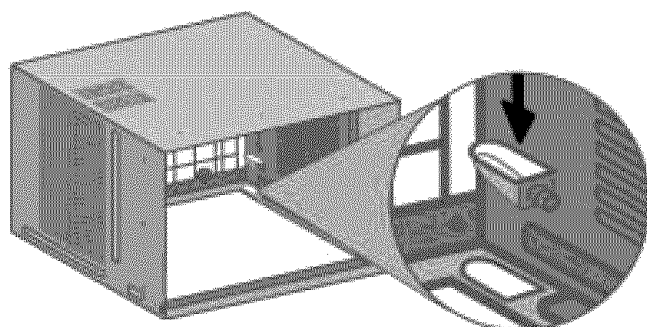
The other end of the hose must be connected to the water mains.



9.2 DRAINING SYSTEM THROUGH THE BOTTOM OUTLET (USING THE DRAIN PAN)



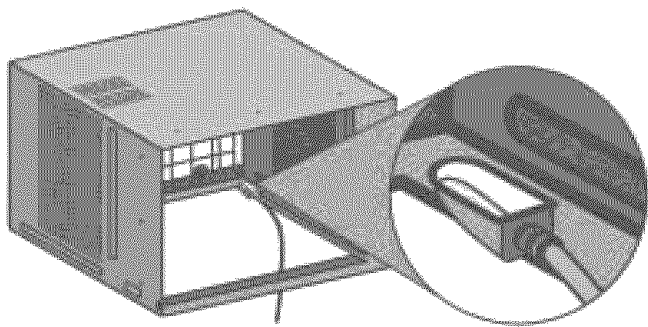
Position the drain pan inside the cabinet.



Install a 5/8" (15,9 mm) plastic hose at the outlet of the drain pan.

The hose must be long enough to reach the rain water drain.

The installation of this draining system is not recommended when the unit is installed on sites with difficult access (example: far from windows and inside buildings), because it is difficult to connect the hose to the water mains.

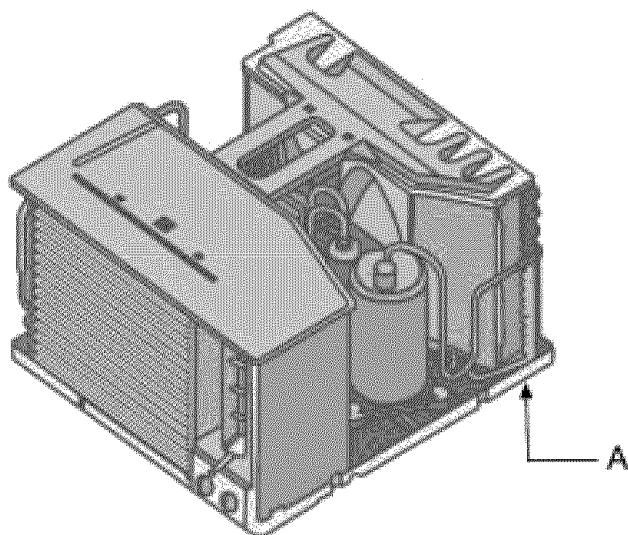


The other end of the hose must be connected to the rain water drain.

IMPORTANT



Remove the existing plug in the inside portion of the unit, the "highest one", located next to the letter "A".



The installation of this draining system is recommended for most kinds of installation (for example: on walls with sash or on windows), since this makes easier to connect the drain hose to the rain water drain.

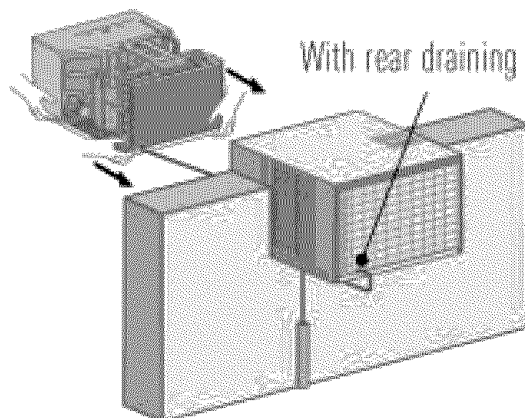
IMPORTANT



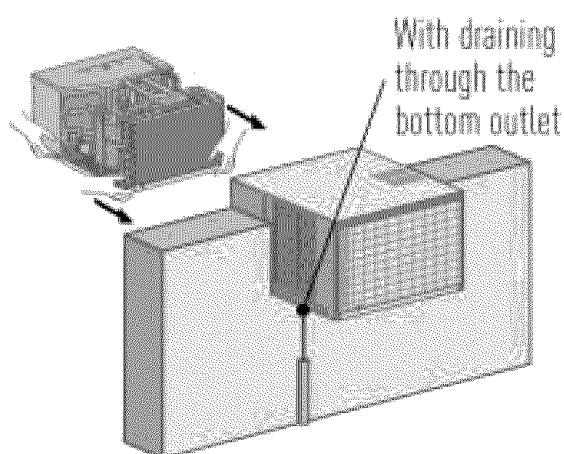
To get the maximum performance with the lowest power consumption, we recommend using the draining system through the rear outlet.

INSTALLING THE UNIT IN THE CABINET

Two people must install the unit on the cabinet in order to guarantee its perfect balance and alignment.

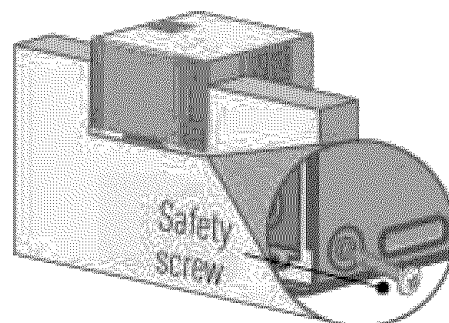


Take care not to crease or bend the hose.



Lift the unit, align it with the cabinet, and slide it until it is perfectly inserted.

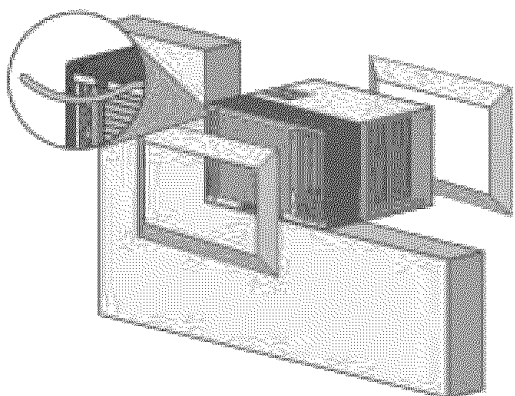
Install the safety screw on both sides.



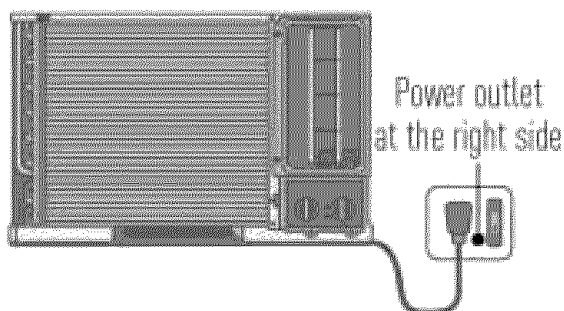
Install the sealing tape and the flashing finishing.

NOTE ☺

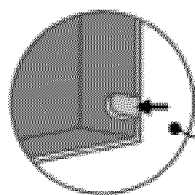
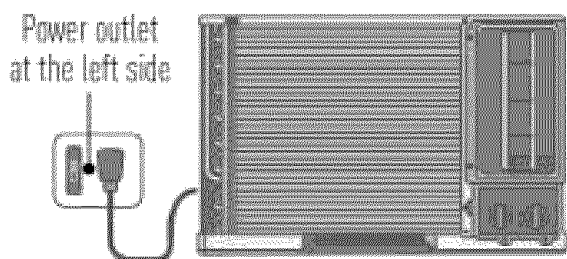
Sealing tape and flashing are not included with machine.



Positioning the cable on the power outlet side



The unit is prepared for this condition.



If the Power outlet is installed at the left side of the unit, this area of the plastic front must be broken in order to pass the cable through.

Install the plastic front, fastening it with two screws (one on each side).

ELECTRICAL DATA

1. All wiring must comply with local and national electrical codes. All wiring must be installed by qualified and skilled electricians. If you have any questions regarding the following instructions, contact a qualified electrician.
2. Check available power supply and solve any household wiring problems BEFORE installing and operating this unit.
3. An individual branch circuit and single receptacle used only for this air conditioner, must be available. See Table 1 for suggested wire sizes for individual branch circuit.
4. For your safety and protection, this unit is grounded through the power cord plug when plugged into a matching wall outlet. **If you are not sure whether your wall outlet is properly grounded, please consult a qualified electrician.**
5. The wall outlet you select must match the plug on the unit power cord, and must be within reach of the installed unit.

NOTE ☺

Power cord is 55 in. (1,4 m) long and extends from bottom of control panel. See Step 24, if power cord must be relocated to opposite side of unit. Do NOT use a plug adapter or extension cord.

6. Follow fuse specifications indicated on unit nameplate. See Table 2. Nameplate is located above unit control panel inside the air discharge section. For clear access to nameplate, front grille must be removed as described on page 6.






NOTE ☺

Unit model/catalog number, service/discrete number, and serial number can be found on the nameplate. When calling for information and service, be sure to provide the service/discrete number.

TABLE 1	
SUGGESTED INDIVIDUAL BRANCH CIRCUIT	
NAMEPLATE (A)	AWG WIRE SIZE*
5.0 to 12	14
12.1 to 16	12
16.1 to 24	10

AWG - American Wire Gauge

*Based on copper wire at 60 C temperature rating.

TABLE 2					
RECEPTACLE AND FUSE TYPES					
RATED VOLTS	125		250		
	15	20	15	20	30
AMPS	15	20	15	20	30
WALL OUTLET					
FUSE SIZE	15	20	15	20	30
TIME DELAY FUSE (or Circuitry Breaker)	Plug	Plug	Cartridge		

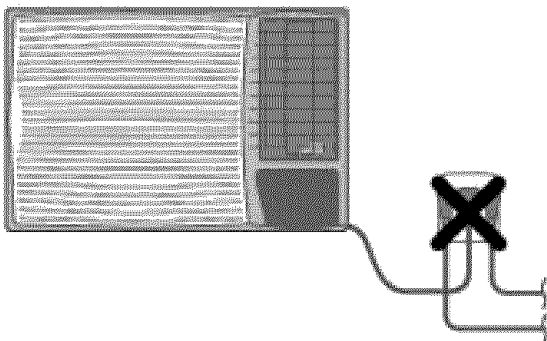
*May be used for 15-amp applications if fused for 15 amp.

POWER SUPPLY CORD

NOTE



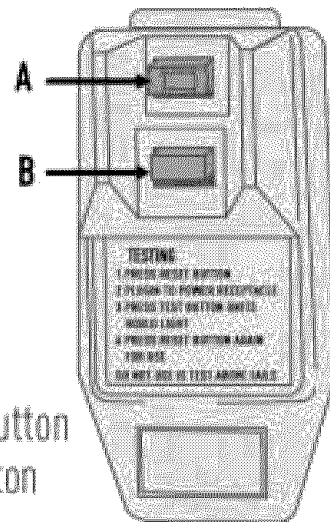
Power cord is 55 in. (1,4 m) long and extends from bottom of control panel. See Step 24, if power cord must be relocated to opposite side of unit. Do NOT use a plug adapter or extension cord.



This room air conditioner is equipped with a power supply cord required by UL (Underwriters Laboratories). This power supply cord contains state-of-the-art electronics that sense leakage current. If the cord is crushed, the electronics detect leakage current and power will be disconnected in a fraction of a second.

To test your power supply cord:

1. Plug power supply cord into a grounded 3-prong outlet.
2. Press **RESET**.
3. Press **TEST** (listen for click; Reset button will trip and pop out)
4. Press and release **RESET** (listen for click; Reset button will latch and remain in). The power supply cord is ready for operation.



A Reset Button
B Test Button

NOTES



- The Reset button must be pushed in for proper operation.
- The power supply cord must be replaced if it fails to trip when the test button is pressed or fails to reset.
- Do not use the power supply cord as an off/on switch. The power supply cord is designed as a protective device.
- A damaged power supply cord must be replaced with a new power supply cord obtained from the product manufacturer and must not be repaired.
- The power supply cord contains no use serviceable parts. Opening the tamper-resistant case voids all warranty and performance claims.

10. SAFETY INSTRUCTIONS

Do not allow children to operate the unit.

During thunderstorms, turn off the unit on the panel, or on the remote control, and turn off the circuit breaker, too.

To clean the unit, always turn off the circuit breaker.

Do not turn the unit off at the socket.

Do not touch the power supply cable or any other electric component of the unit with wet hands.

Never insert objects or fingers in the openings of the unit because this can injure you.

Do not attempt to repair the unit if you are not duly qualified.

Call the Authorized Carrier Technical Assistance Service.

If the air conditioner has a remote control, keep it in a safe location, to prevent breakage or loss.

OPERATION WITH POWER OUTAGE

IMPORTANT



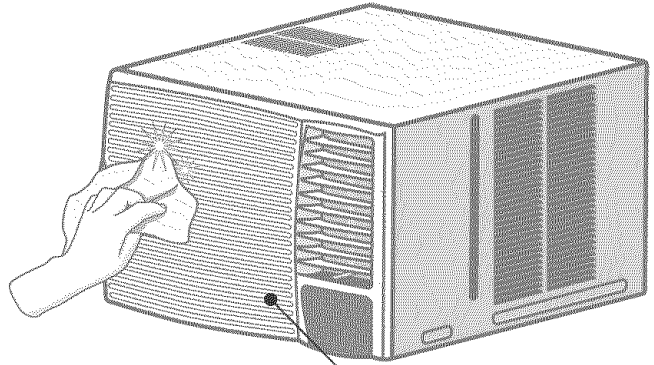
In case of a power outage while the unit is running, the operating conditions will be memorized and re-established when the unit is turned on again. However, the unit will not turn on automatically with the recovery of the power.

The **TIMER** programming will be cancelled. When you leave home during a power outage, disconnect the unit from the socket, to prevent it from turning on automatically when the power is re-established.

11. MAINTENANCE AND PRESERVATION

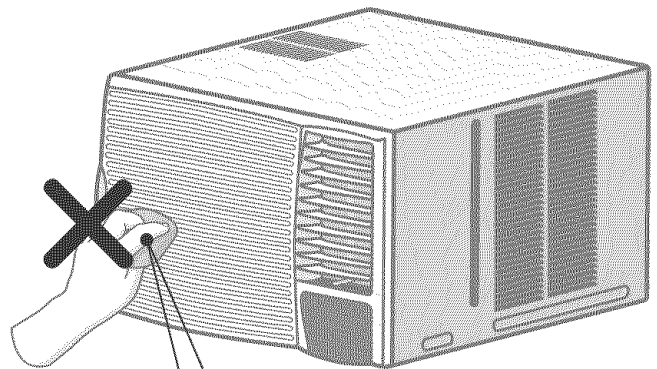
CLEANING OF THE PLASTIC FRONT AND OF THE CABINET

To clean the plastic front and the cabinets, use a soft cloth soaked in warm water and neutral detergent.



The filter door can be removed for cleaning purposes.

When cleaning, do not use steel sponge or any other abrasive product. This can scratch the unit.



Abrasive product
Steel sponge

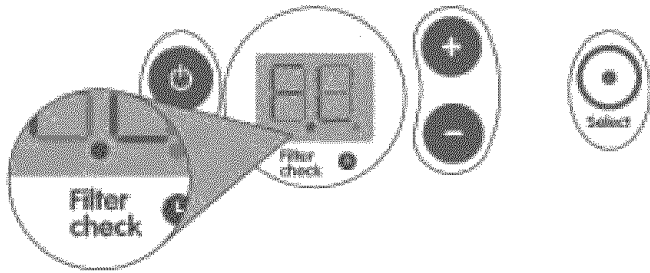
Do not apply detergent, alcohol or water directly to the plastic front.

CLEANING OF THE AIR FILTER

An obstructed air filter reduces the capacity of the air conditioner, and increases the power consumption. Check it monthly.

Do not use the air conditioner without the filter, since the dust and the impurities will damage it, or require a specialized cleaning.

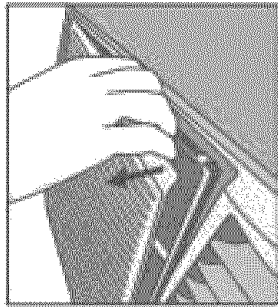
For electronic conditioners, there is an indicator (FL) that warns when the filter needs to be cleaned.



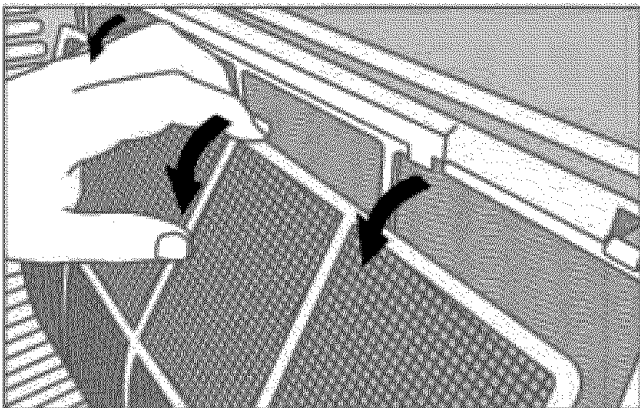
After cleaning, press simultaneously for 3 seconds, the Select button and the (-) button, and the indicator light will turn off.

The air conditioner filter can be cleaned by vacuum or washing.

Before starting to clean, turn off the unit, and open the plastic front.



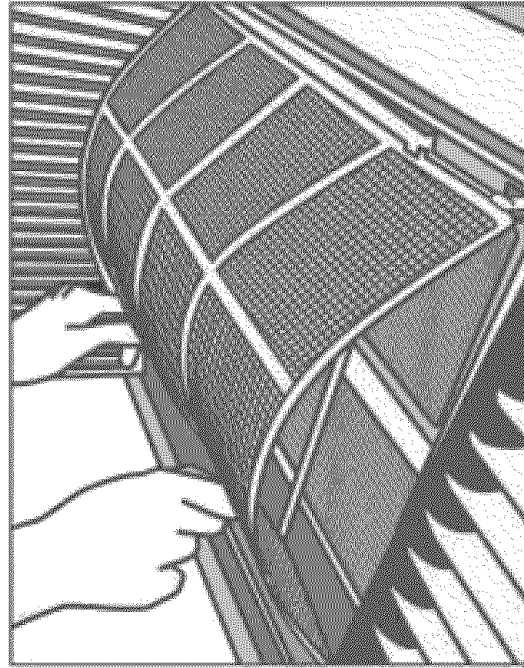
Remove the filter.



Cleaning by vacuum: pass the vacuum cleaner hose nozzle to remove the dust accumulation.

Washing: position the filter with the dirty part turned downwards, and let the water run on it. This way, all the dirt and impurities will be easily removed.

Install the filter with the knob downwards.



Close the plastic front.

INTERNAL CLEANING AND GENERAL INSPECTION

The unit must be internally cleaned, at least once a year, by a specialized technician of the Authorized Technical Assistance.

If the unit is installed in a dusty environment, or operated during many hours a day, the internal cleaning must be made more frequently.

NOTE 

This service is not covered by the Warranty.

12. PRACTICAL SOLUTIONS

Before calling an Authorized Technical Assistance, see how to act in case the air conditioner presents any of the failures below:

OCCURRENCE	PROBABLE CAUSES	SOLUTIONS
The air conditioner does not operate	<ol style="list-style-type: none"> 1. Circuit breaker off 2. Power supply cable disconnected from the electric current 3. Power failure 	<ol style="list-style-type: none"> 1. Turn on the circuit breaker again 2. Connect the cable to the socket 3. Wait until the power supply is re-established
The air conditioner does not cool or does not heat properly	<ol style="list-style-type: none"> 1. Dirty air filter 2. Obstruction in the air flow 3. Open room 4. Heat source in the room 5. Thermostat button improperly positioned 6. Unit improperly dimensioned for the room 7. Strong sunrays entering into the room 	<ol style="list-style-type: none"> 1. Clean the air filter 2. Remove the obstructions: curtains, couches, etc. 3. Close the doors and windows 4. Eliminate the heat source 5. Adjust the conditioner controls properly 6. Redefine the unit model choosing a proper one for the room 7. Block the rays, but do not obstruct the air flow
Inside heat exchanger is frozen	<ol style="list-style-type: none"> 1. Insufficient air circulation 2. Dirty air filter 	<ol style="list-style-type: none"> 1. Unobstruct the appliance front 2. Clean the air filter
Water leaks to the inside of the room	<ol style="list-style-type: none"> 1. Obstructed drain 2. Incorrect installation. 3. Cabinet installed without the outward inclination 	<ol style="list-style-type: none"> 1. Unobstruct the drain 2. Correct the installation, according to the instructions of this Manual 3. Correct the inclination, as described in this Manual
Compressor does not start	<ol style="list-style-type: none"> 1. Voltage below the normal level (115V or 220V) 2. Unit turned off, and turned on immediately after 	<ol style="list-style-type: none"> 1. Contact the power supply services in your region 2. Wait 3 minutes to turn on again
Water noise in the appliance	<ol style="list-style-type: none"> 1. Excessive accumulation of condensation water inside the appliance 	<ol style="list-style-type: none"> 1. Use the Draining System through the bottom outlet (using the drain pan)
Message on the display (electronic models) E4 E5 FL	<ol style="list-style-type: none"> 1. Failure in the inside temperature sensor 2. Failure in the outside temperature sensor 3. Dirty filter 	<ol style="list-style-type: none"> 1. Contact the Authorized Technical Assistance 2. Contact the Authorized Technical Assistance 3. Clean the filter, following the instructions on page 23
Remote control does not operate	<ol style="list-style-type: none"> 1. Batteries without charge 2. Damaged remote control 	<ol style="list-style-type: none"> 1. Replace the batteries 2. Use the electronic panel until the damaged control is replaced

If the failure persists, and cannot be solved in accordance with the directions, turn off the appliance, and do not try to restart it. Request the assistance of the nearest Authorized Service. For that, refer to the enclosed list of authorized offices.



ONE-YEAR WARRANTY - CARRIER warrants to the user that this product will be free from defects of workmanship under normal use and maintenance for a period of one year from the date of original purchase. CARRIER, through an independent servicing dealer or service station, will either repair or replace a defective product (as decided solely by CARRIER) free of charge to the user. CARRIER may replace any defective part with either a new or remanufactured part, at CARRIER's sole option.

EXTENDED FOUR-YEAR WARRANTY ON SEALED REFRIGERATION SYSTEM ONLY - During the second through fifth years after date of original purchase, CARRIER further warrants to the user that the compressor, condenser, evaporator, and connecting tubing will be free from defects in material or workmanship under normal use and maintenance. CARRIER will either repair or replace (as decided solely by CARRIER) any defective compressor, condenser, evaporator, or connecting tubing free of charge to the user, including a recharge of refrigerant for the system if necessary. However, THIS LIMITED WARRANTY DOES NOT INCLUDE costs incurred for diagnosing, removing, installing, shipping, or transporting the product or any parts. User is responsible for these costs; however, SUCH COSTS MAY BE COVERED by a separate warranty or service agreement provided by the seller or another third party, such agreement being separate and distinct from this factory warranty.

LIMITATION OF WARRANTIES - ALL IMPLIED WARRANTIES (INCLUDING IMPLIED WARRANTIES OF MERCHANTABILITY AND FITNESS FOR A PARTICULAR PURPOSE) ARE HEREBY LIMITED IN DURATION TO THE PERIOD FOR WHICH HEREIN. Some states do not allow limitations on how long an implied warranty lasts, so the above limitations may not apply to you. THE EXPRESS WARRANTIES MADE IN THIS WARRANTY ARE EXCLUSIVE AND MAY NOT BE ALTERED, ENLARGED, OR CHANGED BY ANY DISTRIBUTOR, DEALER, OR OTHER PERSON WHATSOEVER. CARRIER WILL NOT BE RESPONSIBLE FOR ANY SPECIAL, INCIDENTAL, OR CONSEQUENTIAL PROPERTY OR COMMERCIAL DAMAGES OF ANY NATURE WHATSOEVER. Some states do not allow the exclusion of incidental or consequential damages, so the above limitation may not apply to you. All work provided for by this warranty shall be performed during normal working hours. All replacement parts, whether new or remanufactured, assume as their warranty period only the remaining time period for which the applicable component is expressly warranted herein.

CARRIER WILL NOT BE RESPONSIBLE FOR:

1. Damage due to failure to perform normal maintenance as outlined in the Owner's Guide.
2. Instruction on methods of control and use of air conditioning unit after initial installation.
3. Damage or repairs needed as a consequence of faulty installation or application. This is the responsibility of the installer.
4. Failure to start due to voltage conditions, blown fuses, open circuit breakers, or any other damages due to the inadequacy or interruption of electrical service.
5. Damage or repairs needed as a consequence of any misapplication, abuse, unauthorized alteration, improper servicing or operation.
6. Damage as a result of floods, winds, fires, lightning, accidents, corrosive environments, or other conditions beyond the control of CARRIER.
7. Any parts not supplied or designated by CARRIER.
8. CARRIER products installed outside the continental U.S.A., Alaska, Hawaii, and Canada.
9. Shipping damage or damage as a result of storing or transporting the unit.

Form No. 530-048(Rev. 7/92)

This warranty gives you specific legal rights, and you may also have other rights which vary from state to state.



IF YOUR UNIT DOES NOT WORK, FOLLOW THESE STEPS IN ORDER:

1. CHECK THE THINGS YOU CAN DO YOURSELF. These include being sure the air conditioner is plugged in firmly in an appropriate receptacle, checking the fuse or circuit breaker and ensuring its replacement or resetting, if necessary, and rereading the instruction book to ensure all controls are set properly. By doing this you can save money. Many unnecessary calls result in the serviceman doing what the owner can do for himself.
2. CONTACT YOUR DEALER OR THE CARRIER AUTHORIZED SERVICE CENTER. You may find this name on the product, on your invoice, or in your Homeowner's Packet.
3. CONTACT THE NEAREST CARRIER DISTRIBUTOR SERVING YOUR AREA. (See Telephone Yellow Pages.)
4. CONTACT CARRIER IF A SATISFACTORY SOLUTION IS NOT REACHED IN STEPS 2 AND 3.

Carrier Air Conditioning
Consumer Relations Department
P.O. Box 4808
Carrier Parkway
Syracuse, New York 13221
Telephone: 1-800-CARRIER (227-7437)
From Canada: (315) 432-7885

Model/Catalog No _____

Service/Discrete _____

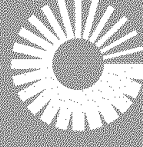
Date of Installation _____

Name of Owner _____

Unit Serial No _____

Installed By _____

Address of Installation _____



Carrier

A United Technologies Company

