

User's Manual

LAVATHERM T65179AV Dryer -

User's Manual



 **AEG**

perfekt in form und funktion

CONTENTS

4	SAFETY INFORMATION
7	ENVIRONMENT CONCERNS
8	PRODUCT DESCRIPTION
9	ACCESSORIES
10	CONTROL PANEL
10	BEFORE FIRST USE
11	PROGRAMMES
13	USING THE APPLIANCE
15	HINTS AND TIPS
16	CARE AND CLEANING
18	TROUBLE SHOOTER AND SERVICE
20	TECHNICAL INFORMATION
21	INSTALLATION

SERVICE

When contacting Service, ensure that you have the following data available. The information can be found on the rating plate.

Model _____

PNC _____

Serial Number _____

The following symbols are used in this user manual:



Warning - Important Safety information.



General information and tips



Environmental information

Subject to change without notice

FOR PERFECT RESULTS

Thank you for choosing this AEG product. We have created it to give you impeccable performance for many years, with innovative technologies that help make life simpler – features you might not find on ordinary appliances. Please spend a few minutes reading to get the very best from it.

ACCESSORIES AND CONSUMABLES

In the AEG webshop, you'll find everything you need to keep all your AEG appliances looking spotless and working perfectly. Along with a wide range of accessories designed and built to the high quality standards you would expect, from specialist cookware to cutlery baskets, from bottle holders to delicate laundry bags...



Visit the webshop at:
www.aeg.com/shop

VISIT OUR WEBSITE FOR:

- Products
- Brochures
- User manuals
- Trouble shooter
- Service information

www.aeg.com



SAFETY INFORMATION

In the interest of your safety and to ensure the correct use, before installing and first using the appliance, read this user manual carefully, including its hints and warnings. To avoid unnecessary mistakes and accidents, it is important to ensure that all people using the appliance are thoroughly familiar with its operation and safety features. Save these instructions and make sure that they remain with the appliance if it is moved or sold, so that everyone using it through its life will be properly informed on appliance use and safety.



- Read the instruction manual before the appliance use.

GENERAL SAFETY

- It is dangerous to alter the specifications or attempt to modify this product in any way.
- This appliance is not intended for use by persons (including children) with reduced physical and sensory conditions or lack of experience and knowledge, unless they have been given supervision or instruction concerning use of the appliance by a person responsible for their safety.
- Make sure that small children and pets do not climb inside the drum. To avoid this, please check into the drum before using.
- Any objects such as coins, safety pins, nails, screws, stones or any other hard, sharp material can cause extensive damage and must not be placed into the machine.
- Items such as foam rubber (latex foam), shower caps, waterproof textiles (if there is no special drying programme), rubber backed articles and clothes or pillows fitted with foam rubber pads must not be dried in the tumble dryer.
- Make sure that there is access to the mains plug after the installation.
- Always unplug the appliance after use, cleaning and maintenance.
- Under no circumstances should you attempt to repair the machine yourself. Repairs carried out by inexperienced persons may cause injury or serious malfunctioning. Contact your local Service Centre. Always insist on genuine spare parts.
- Items that have been soiled with substances such as cooking oil acetone, petrol, kerosene, spot removers, turpentine, waxes and wax removers should be washed in hot water with an extra amount of detergent before being dried in the tumble dryer.
- **Danger of explosion:** Never tumble dry items that have been in contact with inflammable solvents (petrol, methylated spirits, dry cleaning fluid and the like). As these substances are volatile, they could cause an explosion. Only tumble dry items washed with water.
- **Risk of fire:** items that have been spotted or soaked with vegetable or cooking oil constitute a fire hazard and should not be placed in the tumble dryer.
- If you have washed your laundry with stain remover you must execute an extra rinse cycle before loading your tumble dryer.
- Please make sure that no gas lighters or matches have accidentally been left in pockets of garments incase they are loaded into appliance
- The condensed water is not applicable to drink or to prepare food. It can cause health problems to people and pets.
- Do not seat or lean on the load door. The appliance can tilt.

**WARNING!**

- **Risk of fire! To prevent from the risk of self combustion do not stop a tumble dryer before the end of the drying cycle unless all items are quickly removed and spread out so that the heat is dissipated.**
- **Lint must not be allowed to accumulate around the tumble dryer.**
- **Risk of electric shock!** Do not spray down the appliance with jets of water.
- The final part of a tumble dryer cycle occurs without heat (cool down cycle) to ensure that the items are left at a temperature that ensures that items will not be damaged.
- The tumble dryer is not to be used if industrial chemicals have been used for cleaning.
- Ensure you have good ventilation in the installation room to avoid the back flow of gases into the room from appliances burning other fuels, including open fires.

INSTALLATION



- This appliance is heavy. Be careful when you move the appliance.
- When unpacking the appliance, check that it is not damaged. If in doubt, do not use it and contact the Service Centre.
- All packaging must be removed before use. Dangerous damage can occur to the product and to property if this is not adhered to. See relevant section in the user manual.
- Each electrical work necessary to install this appliance must be done by a qualified electrician or competent person.
- The rear surface of the appliance must be put against the wall
- If the appliance is installed on the carpet or equivalent, adjust the feet.

Air must flow freely below the appliance.

- After the appliance installation, check that it is not squeeze or stay on the electrical supply cable.
- If the tumble dryer is put on top of a washing machine, it is mandatory to use the stacking kit (optional accessory - see chapter: "ACCESSORIES").
- After having installed the appliance, check that it is not pressing or standing on its inlet hose.

USE

- This appliance is for domestic use only. It must not be used for other functions .
- Only dry fabrics which are applicable to dry in the tumble dryer. Follow the instructions on each piece of clothing label.
- Do not dry not washed items in the tumble dryer.
- Do not put more load than recommended. Obey the maximum load volume. See the related chapter in the user manual.
- Clothes which are dripping wet must not be put in the tumble dryer.
- Garments which have been in contact with volatile petroleum products should not be machine dried. If volatile cleaning fluids are used, care should be taken to ensure that the fluid is removed from the garment before placing in the appliance.
- Do not use the tumble dryer if the power supply cable, the control panel, the working surface or the base are damaged so that the inside of the tumble dryer is accessible.
- Fabric softener or equivalent products must be used as specified by the fabric softener manufacturer.
- Risk of fire! Do not dry the damaged items which contain padding or fillings (pillows, jackets, duvets, etc.). The padding or fillings can get out and cause the fire.

-  **Hot surface:** Do not touch the door light cover surface when the light is switched on¹⁾.
-  **Hot surface:** Do not touch the back of the appliance while it is operating!

CHILD SAFETY

- This machine is not intended for use by young children or infirm persons without supervision.
- Children often do not recognise the hazards associated with electrical appliances. Children should be supervised to ensure that they do not play with the appliance.



WARNING!

- Danger of suffocation! The packaging components (e.g. plastic film, polystyrene) can be dangerous to children - Keep them out of children's reach.

- Keep all detergents in a safe place out of children's reach.
- Make sure that children or pets do not climb inside the drum.

DISCARD THE APPLIANCE


- Disconnect the mains plug from the mains socket.
- Cut off the mains cable and discard it.
- Discard the door catch. This prevents children or pets to be closed in the appliance. There is a risk of suffocation.


¹⁾ Only dryers equipped with internal drum light.



ENVIRONMENT CONCERNS

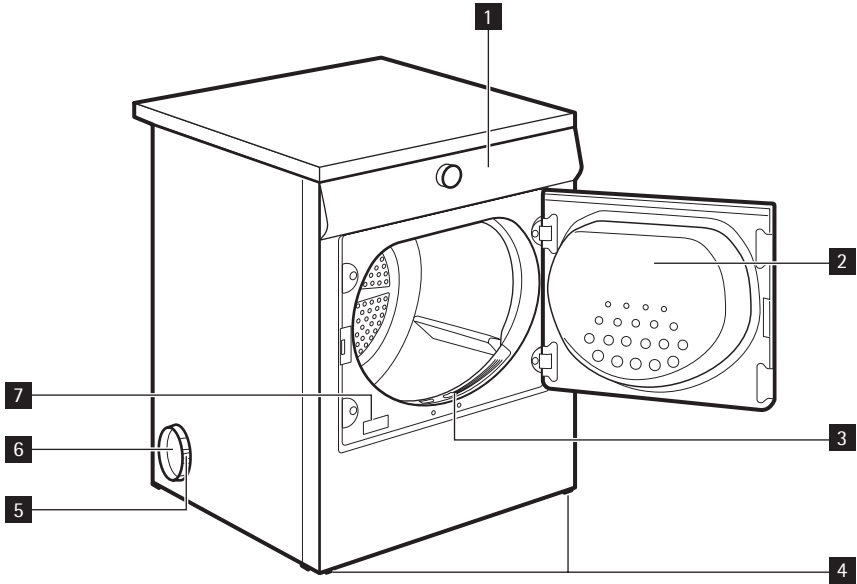
PACKAGING MATERIALS

Recycle the materials with the symbol . Put the packaging in applicable containers to recycle it.

The symbol  on the product or on its packaging indicates that this product may not be treated as household waste. Instead it should be taken to the appropriate collection point for the recycling of electrical and electronic

equipment. By ensuring this product is disposed of correctly, you will help prevent potential negative consequences for the environment and human health, which could otherwise be caused by inappropriate waste handling of this product. For more detailed information about recycling of this product, please contact your local council, your household waste disposal service or the shop where you purchased the product.

PRODUCT DESCRIPTION



1 Control panel

2 Load door (reversible)

3 Filter

4 Adjustable feet

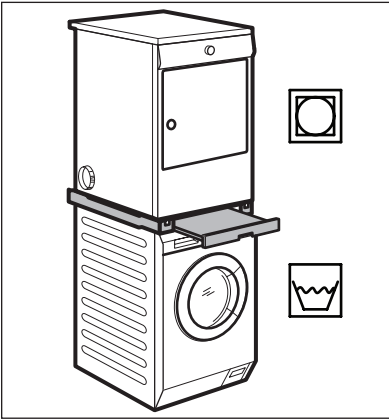
5 Plastic ring

6 Side/rear ventilation opening

7 Rating plate

ACCESSORIES

STACKING KIT



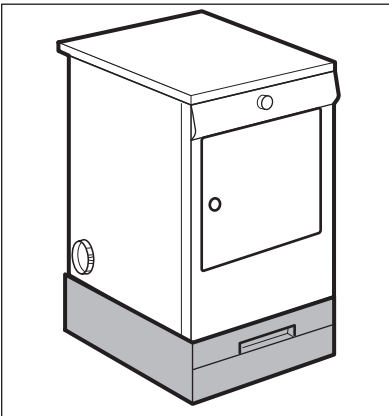
Product name: SKP11
 Available from your authorized dealer.
 Stacking kit can be used only with the washing machines specified in the leaflet. See leaflet attached.
 Read carefully the instructions supplied with the kit.

Product name: PDSTP10.
 Available from your authorized dealer.
 To put the appliance higher at the level which helps to easy load and remove the laundry .
 The drawer can be use for laundry storage e.g. : towels, cleaning products and more.
 Read carefully the instructions supplied with the accessory.

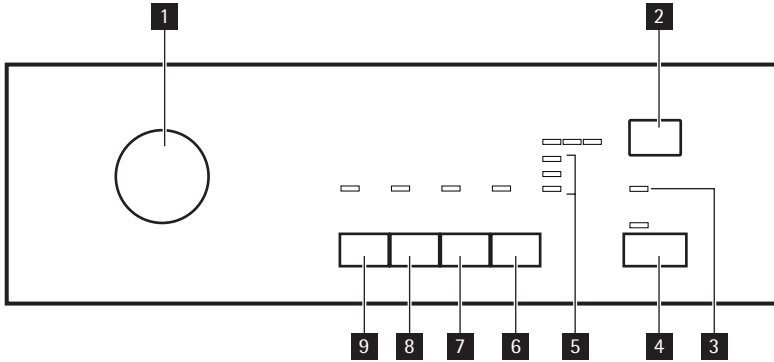
VENT KIT

Universal kit for vented dryers where an outdoor outlet is not possible. The tank collects lint and condensation, thus avoiding dirt and damage due to moisture in the room where the tumble dryer is placed.
 Read carefully the instructions supplied with the kit.

PEDESTAL WITH THE DRAWER



CONTROL PANEL



- | | | | |
|----------|-----------------------------------|----------|------------------------|
| 1 | Programme dial | 6 | Push button Buzzer |
| 2 | Push button Delay start | 7 | Push button Anticrease |
| 3 | Indication lamp: clean the filter | 8 | Push button Sensitive |
| 4 | Push button Start/Pause | 9 | Push button Delicate |
| 5 | Function status LED | | |


BEFORE FIRST USE

Clean the tumble dryer drum with a moist cloth or set a short programme

(e.g. 30 minutes time programme) with the load of moist cloths.

PROGRAMMES

Pro-grammes	Load ¹⁾	Properties	Available functions	Fabric mark
Cottons				
Extra dry	7 kg	To dry thick or multi-layered fabrics, e.g. terry towelling items, bathrobes.	all ²⁾	
Strong dry	7 kg	To dry thick or multi-layered fabrics, e.g. terry towelling items, bathrobes.	all ²⁾	
Cupboard dry	7 kg	To dry fabrics of even thicknesses, e.g. terry towelling items, knitwear, towels.	all ²⁾	
Iron dry	7 kg	To dry normal thickness cotton or linen laundry, e.g. bedding, table linen.	all ²⁾	
Synthetic				
Extra dry	3 kg	To dry thick or multi-layered fabrics, e.g. pullovers, bedding, table linen.	all ²⁾	
Cupboard dry	3 kg	To dry thin fabrics which are not ironed, e.g. easy care shirts, table linen, baby clothes, socks, lingerie with bones or wires.	all ²⁾	
Iron dry	3 kg	To dry thin fabrics which are also to be ironed, e.g. knitwear, shirts.	all ²⁾	
Special				
Time 30'	1 kg	Time programme to dry individual items of laundry.	all without Sensitive	
Refresh	1 kg	To refresh or gently cleaning textiles with commercially available dry cleaning products.	all without Sensitive	
Bed Linen	3 kg	To dry bed linen such as: single and double sheet, pillowcase, bed-spread.	all without Sensitive	
Jeans	7 kg	To dry leisure clothing such as jeans, sweat-shirts of different material thicknesses (e.g. at the neck, cuffs and seams).	all ²⁾	
Sport	2 kg	To dry sportswear, thin fabrics, microfiber, polyester, which are not ironed.	all without Sensitive	

Pro-grammes	Load ¹⁾	Properties	Available functions	Fabric mark
Easy Iron	1 kg (or 5 shirts)	To dry easy care fabrics such shirts and blouses; for minimum ironing effort. The results can be different for to the different types of fabric and its finish. Put fabrics in the tumble dryer straight. After the cycle, immediately remove dried fabrics and put on a cloths hanger.	all without Sensitive	
Wool Re-fresh	1 kg	To refresh the cloths made of wool . The cloths become soft and cosy. We recommend to remove the cloths immediately after the programme end.	Buzzer , De-lay start	

¹⁾ maximal weight of dry clothes

²⁾ The Delicate and Sensitive functions cannot be set together.

USING THE APPLIANCE

PREPARING THE LAUNDRY



Dry only the laundry applicable to dry in the tumble dryer. Make sure if the laundry is applicable to dry in the tumble dryer. Do the check of the fabric mark on the clothes.

Fabric mark	Property
	Applicable to dry in the tumble dryer
	Applicable to dry in the tumble dryer at standard temperature
	Applicable to dry in the tumble dryer at decreased temperature
	Not applicable to dry in the tumble dryer

Correctly prepare the laundry:

- close zips, button up duvet covers and attach loose ties or ribbons (e.g. ribbons of aprons) - laundry can tangle
- make sure the pockets are empty - remove metal items (paper clips, safety pins, etc.).
- turn items with 2 fabric layers inside out (e.g. cotton lined anoraks, the cotton fabric layer must be external).

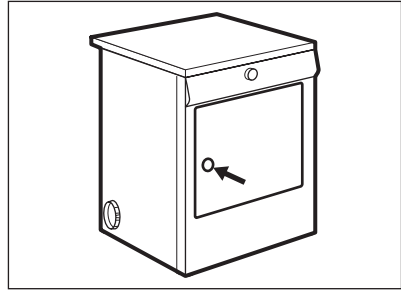
Dry only:

- cotton and linen with Cottons programmes
- synthetic and mixtures with Synthetic programmes
- separately the strong coloured textiles and the light coloured textiles - colours can bleed
- cotton jersey and knitwear only with the applicable programmes - items can shrink



Do not put more laundry than the maximum load which is **7kg**.

LOADING THE LAUNDRY



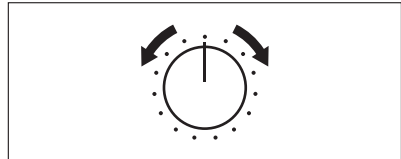
1. Push the appliance door (push point).
2. Load loosely the laundry.
3. Close the appliance door.



CAUTION!

Do not lock the laundry in between the appliance door and rubber seal.

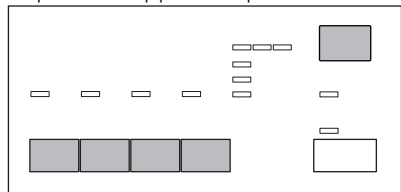
SETTING A PROGRAMME



Use the programme dial to set the programme.


SPECIAL FUNCTIONS

Together with the programme you can set special function or functions. To activate or deactivate the function push the applicable push button.



When the function is activated the LED above the push button comes into the view.

THE DELICATE FUNCTION

To dry more lightly the sensitive and temperature sensitive textiles (e.g. acrylic, viscose). For fabrics with the symbol  on the fabric label. Programme operates with decreased heat.

THE SENSITIVE FUNCTION

To dry lightly of fabrics that are frequently worn. Programme starts on full heat setting, which is then decrease as the programme continue to be lightly to the laundry.

THE ANTICREASE FUNCTION

Extends anticrease phase (30 minutes) at the end of the drying cycle to 90 minutes. This function prevents laundry from creases. Laundry can be removed during the anticrease phase.


THE BUZZER FUNCTION

When the buzzer function is activated you can hear the buzzer at the:

- cycle end
- anti-crease phase start and end
- cycle interruption

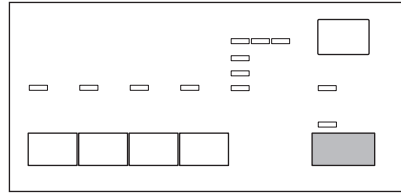
The buzzer function is by default always on. You can use this function to activate or deactivate the sound.

THE DELAY START FUNCTION

 Let to delay the start of a drying programme by 3, 6 or 9 hours.

1. Set the drying programme and functions.
2. Push the Delay start button as many times as necessary.
3. To activate the Delay start function, push the Start/Pause button. The LEDs (9H, 6H, 3H) change on each 3 hours.

STARTING A PROGRAMME




To activate the programme push the Start/Pause button. The LED above the push button changes the colour to red.

CHANGE A PROGRAMME

To change a programme, turn the programme dial to ① (off) and then set the programme again.

AT THE END OF PROGRAMME

When the drying cycle is complete, LEDs End and Filter are on . If the Buzzer function is on, an acoustic signal sounds intermittently for about one minute.

 The drying cycles (except for the Wool care programme) are automatically followed by an anti-crease phase which continue around 30 minutes. The laundry can be removed during the anti-crease phase (The laundry should be taken out towards the end of the anti-crease phase at the latest to prevent creases from forming.) . If Anticrease function is set, the anti-crease phase is increased by 60 minutes.

To remove the laundry:

1. Turn the programme dial to ① (off)
2. Open the appliance door.
3. Remove the laundry.
4. Close the appliance door.



After each drying cycle: clean the filter
(See chapter CARE AND CLEANING.)

HINTS AND TIPS

ECOLOGICAL HINTS

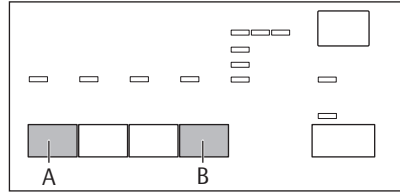
- Do not use fabric softener to wash and then dry. In the tumble dryer laundry becomes soft automatically.
- Use the condensate as distilled water, e.g. for steam ironing. If necessary clean the condensate before (e.g. with a coffee filter) to remove possible small pieces of fluff.
- Always keep the airflow slots on the bottom of the appliance clear.
- Use the load volumes specified in the programmes chapter.
- Make sure that is good airflow in the appliance installation position.
- Clean the filter after each drying cycle.
- Spin good the laundry before drying.

AVERAGE LAUNDRY WEIGHTS

bathrobe	1200 g
quilt cover	700 g
man's work shirt	600 g
man's pyjamas	500 g
sheet	500 g
tablecloth	250 g
man's shirt	200 g
night dress	200 g
pillow case	200 g
towelling towel	200 g
blouse	100 g
ladies' briefs	100 g
men's underpants	100 g
napkin	100 g
tea cloth	100 g

APPLIANCE SETTINGS

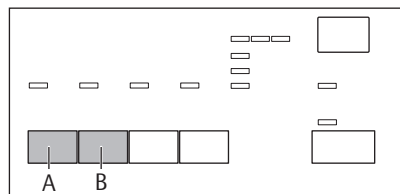
Water hardness



Water hardness can be different for different locations. If you know your local water hardness you can adjust the sensor in your appliance to get the better result of the drying.

1. Turn the programme dial to available programme.
2. Push at the same time the **A** and **B** buttons and hold down until LEDs show the settings:
 - **End** - low conductivity $<300 \mu\text{S}/\text{cm}$
 - **Cooling** - medium conductivity $300-600 \mu\text{S}/\text{cm}$
 - **Cooling** and **End** - high conductivity $>600 \mu\text{S}/\text{cm}$
3. Push the **Start/Pause** button again and again until you set necessary level.
4. To memorise setting push at the same time the **A** and **B** buttons

Buzzer permanent off



1. Turn the programme dial to one of programmes.
2. Push at the same time the **A** and **B** buttons and hold down for approximately 5 seconds.
3. The buzzer is by default always off.

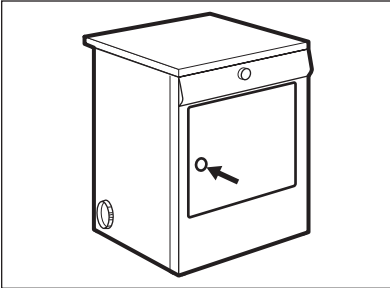
CARE AND CLEANING

CLEANING THE FILTER

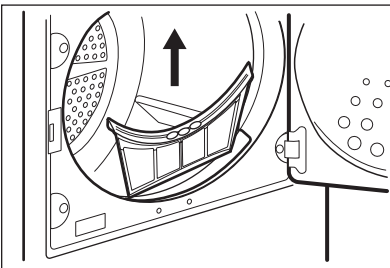
At the end of each cycle the *filter* indicator is on to tell you that the filter must be cleaned.

i The filter collects the fluff. The fluff occurs while the cloths are dried in the tumble dryer.

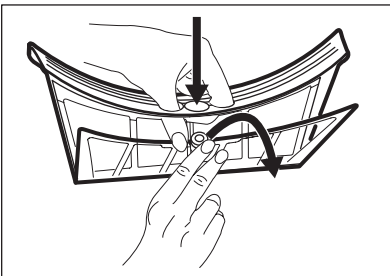
1. Open the door.



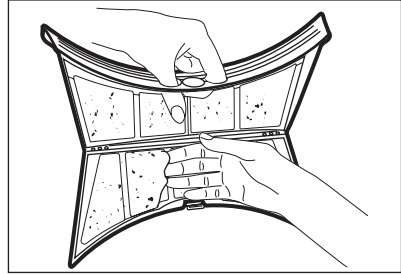
2. Pull the filter.



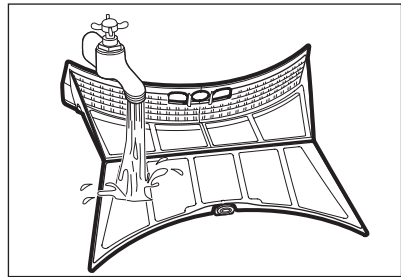
3. Open the filter.



4. Use a moist hand to clean the filter.



5. If necessary clean the filter with warm water using a brush. Close the filter.



6. Remove fluff from the filter socket. For this a vacuum cleaner can be used.
7. Put the filter inside the filter socket.



CAUTION!

Do not operate the tumble dryer without the filter or with damaged or blocked filter.



Clean the filter after each drying cycle. Clogged filter increases the cycle time and causes higher energy consumption.

CLEANING THE DRUM



WARNING!

Disconnect the appliance before you clean it.

Use a standard neutral soap detergent to clean the inner surface of the drum and drum ribs. Dry the cleaned surfaces with a soft cloth.

**CAUTION!**

Do not use abrasive materials or steel wool to clean the drum.

CLEANING THE CONTROL PANEL AND HOUSING

Use a standard neutral soap detergent to clean the control panel and housing.

Use a moist cloth to clean. Dry the cleaned surfaces with a soft cloth.

**CAUTION!**

Do not use furniture cleaning agents or cleaning agents which can cause corrosion to clean the appliance.

TROUBLE SHOOTER AND SERVICE

TROUBLE SHOOTER

Problem ¹⁾	Possible cause	Remedy
Tumble dryer does not work.	Tumble dryer not connected to mains supply.	Connect in at mains socket. Check fuse in fuse box (domestic installation).
	Loading door opened.	Close loading door
	The Start/Pause button not pressed.	Push the Start/Pause button.
Unsatisfactory drying results.	Incorrect programme set.	Set applicable programme. ²⁾
	The filter clogged.	Clean the filter. ³⁾
	Too high volume of the load.	Respect the maximum load volume.
	Airflow slots covered up.	Uncover airflow slots.
	Dirt inside the drum.	Clean the drum inside.
	High water hardness.	Set applicable water hardness ⁴⁾ .
Door does not close	Filter not locked in position.	Put the filter in the correct position.
	Laundry locked between the door and the seal.	Put the load correctly in the drum.
Err (Error) on the display. ⁵⁾	Attempt to change parameters after start of the programme.	Turn the tumble dryer off and on. Set requested parameters.
	The function you set is not applicable with the set programme	Turn the tumble dryer off and on. Set requested parameters.
No drum light ⁶⁾	Defective drum light.	Contact the service centre to replace the drum light.
Abnormally elapsing time on the display ⁵⁾	Time to end is calculated on the basis of: type, volume and dampness of laundry.	Automatic procedure; this is not a appliance fault.
Drying cycle too short	Small laundry volume./Too dry laundry for selected programme.	Select time programme or higher drying level (e.g. Extra Dry).
Drying cycle too long ⁷⁾	The filter clogged.	Clean the filter.
	Too high volume of the load.	Respect the maximum load volume.
	Laundry insufficiently spun.	Spin adequately the laundry.
	Very high room temperature - no appliance fault.	Lower the room temperature if possible.

- 1) In case of error message on the display (e.g. **E51**- only tumble dryer with the display):
Switch the tumble dryer off and on. Set programme. Push the Start/Pause button. Does not work? - inform local service and quote the error code.
- 2) follow programme recommendation - see *PROGRAMMES* chapter
- 3) see *CARE AND CLEANING* chapter
- 4) see section *MACHINE SETTINGS* in *HINTS AND TIPS* chapter
- 5) only dryers with the display
- 6) Only dryers with drum light.
- 7) Note: After maximum 5 hours the drying cycle ends automatically (see *Drying cycle complete* section).

SERVICE

If there are technical faults, first check if you can remedy the problem yourself with the help of the operating instructions - see section *TROUBLE SHOOTER*. If you cannot remedy the problem on your own, get in touch with the Customer Care Department or one of our service partners.

To assist you quickly, these data are necessary:

- Model name
- Product number (PNC)
- Serial number (Ser. No. is on rating plate attached to the product - to find it see chapter *PRODUCT DESCRIPTION*)

- Type of failure

- Any error messages shown by the display.

So that you have the necessary reference numbers from your appliance at hand, we recommend that you write them in here:

Mod.
PNC:
Ser. No.

TECHNICAL INFORMATION



height x width x depth	844 x 600 x 580 mm (maximal 640 mm)
drum volume	108 l
maximum depth with the load door opened	1090 mm
maximum width with the load door opened	950 mm
adjustable height	850 mm (+ 15 mm - feet regulation)
the appliance weight	31,5 kg
maximum load volume	7 kg
voltage	230 - 240 V
frequency	50 Hz
necessary fuse	13 A
total power	2600 W
energy efficiency class	C
energy consumption kWh/cycle ¹⁾	3,9 kWh
annual energy consumption	263,1 kWh
type of use	Domestic
permitted ambient temperature	+ 5°C to + 35°C

¹⁾ 7 kg of cotton, centrifuged at 1000 rpm with reference to EN 61121

INSTALLATION

APPLIANCE POSITIONING

- The tumble dryer must be installed in a clean position, where dirt does not collect.
- Air must flow freely around the appliance. Make sure that the front airflow slots in the bottom of the appliance are not blocked.
- To keep vibration and noise at the minimum, when the tumble dryer operates, it must be put on a stable and flat surface.
- When the appliance is put in its permanent position, check if is fully level with the aid of a spirit level. If it is not, adjust the feet until it is.
- Do not remove the feet. Do not decrease the floor clearance through thick carpets, bar of wood or equivalent. This can increase the heat which can cause interference with the operation of the appliance.



- The temperature of the hot air which occurs in the tumble dryer can increase to 60 °C. The appliance must not be installed on the floor which is not resistant to high temperatures.
- When the tumble dryer operates, the room temperature must not be lower than +5 °C and higher than +35 °C. This can cause unwanted effect on the performance of the appliance.
- If it is necessary to move the appliance, it must be moved vertically.
- The appliance must not be installed behind a lockable door, a sliding door, a door with a hinge on the opposite side to that of the appliance in such a way that a full opening of the tumble dryer is restricted.

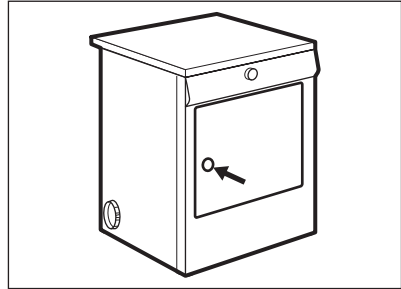
UNPACKING



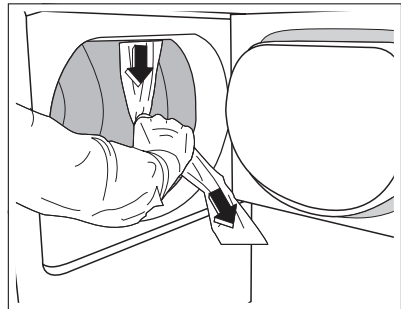
CAUTION!

Before use all parts of the transport packaging must be removed.

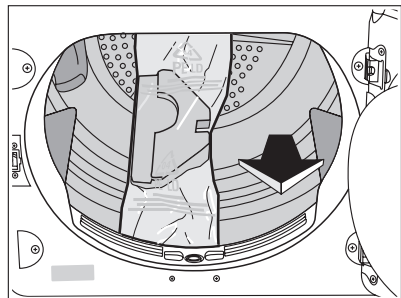
1. Open loading door.



2. Pull off adhesive strips from inside machine on top of drum.



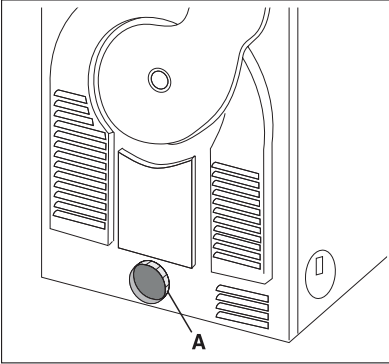
3. Remove foil hose and polystyrene padding from the machine.



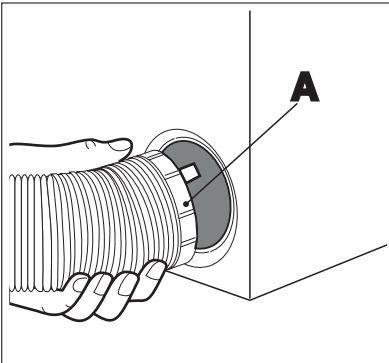
THE VENT HOSE INSTALLATION

i There are 3 vent outlets: on the left, right side and at the rear.

1. Pull the ring nut **A** from the vent outlet at the rear.

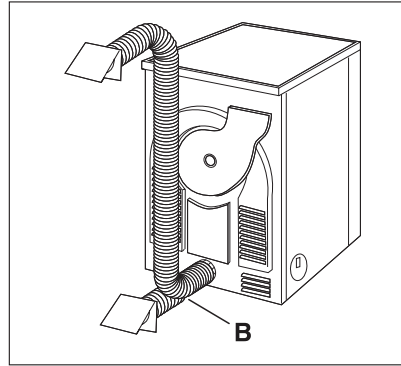


2. Screw on the ring nut to the hose and push it into position.



3. The not used vents must be sealed with supplied covers.

If the hose is long and the room temperature low, the moisture might condense to water inside the hose. This is an usual occurrence. To prevent this water from the hose, it is recommend to drill a small hole (via. 3 mm) in the lowest point of the hose and to put a small container below it. (See picture, point **B**).



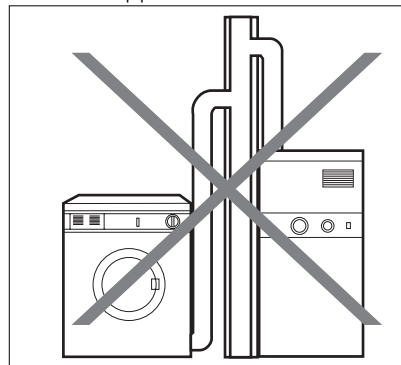
i Make sure that the vent hose length is less than 2 m, and that it contains no more than 2 bends.

As to the outlet itself, if you have decided on a install wall/window grille, a good local builder's merchant can supply you with the necessary fittings and installation advice.



WARNING!

It is important not to connect the vent hose to, for example, a cooker hood, or a chimney or flue pipe designed to transmit the exhaust from a fuel burning appliance.



Note that to prevent condensation problems, it is essential that the dryer be installed with the flexible hose to transmit its "exhaust" at least beyond the kitchen units; preferable outside the kitchen. In order to prevent the appliance from overheating, it is important

that the steam exhaust is unobstructed. Thus, if a permanent hose installed to an external wall or ceiling, it must be ensured an exhaust capacity of minimum 150 m³/h. If the dryer is installed adjacent to kitchen units, make sure that the vent hose is not squashed. If the hose is not fully squashed, drying efficiency will be decreased, resulting in longer drying times and higher energy consumption. If the hose is fully squashed, the automatic cut-outs with which the appliance is fitted can operate. When operating the tumble dryer, the room temperature must not be lower than +5°C and higher than +35°C, as it can affect the performance of the appliance.

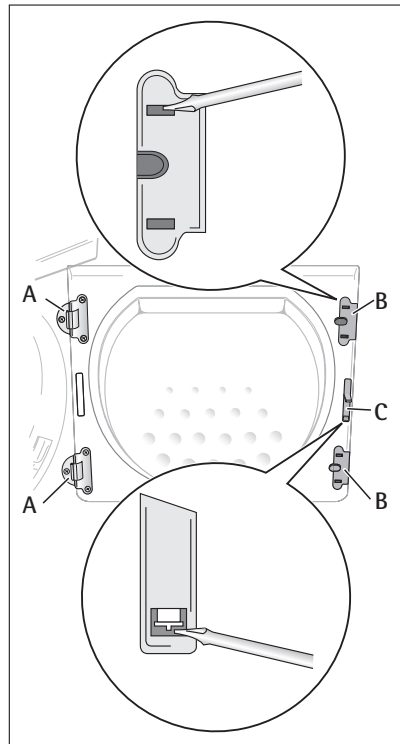
THE LOAD DOOR REVERSAL



WARNING!

Before changing the door stop, disconnect the mains plug.

1. Open load door.
2. Unscrew hinge **A** from the front of the appliance and remove the load door.
3. Remove cover plates **B**. To do this, put a thin screwdriver into the slots as shown in the illustration, push down lightly and remove the cover plates.

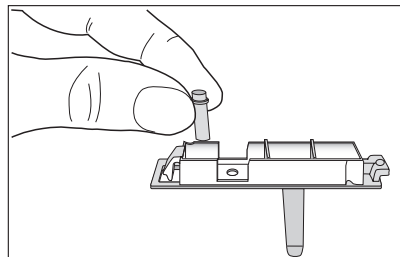


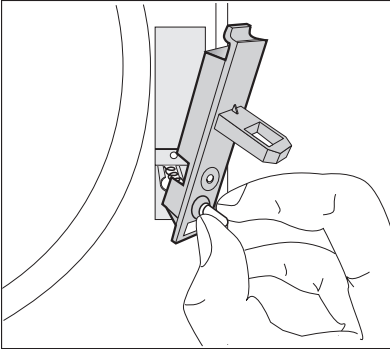
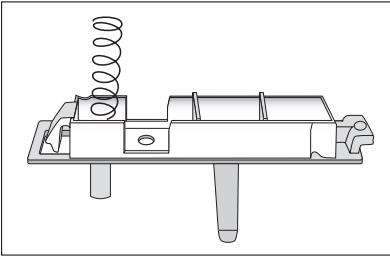
4. Use an applicable tool and apply pressure to unlock part **C**, remove and turn it through 180°, then put on the other side.



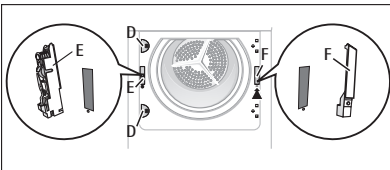
CAUTION!

There is a small spring below locking block **C**. To put all parts together correctly, look at the illustrations:





5. Unscrew hinge **A** from the load door and turn it through 180°, then put on the opposite side and screw down.
6. Turn cover plates **B** through 180° and put them on the opposite side.
7. Unscrew cover plates **D** from the front of the appliance, turn through 180° and screw down on the opposite side.



8. Unscrew door lock **E**, push down lightly and remove from the front of the appliance.
9. Push snap-in button **F** in and down, push cover down lightly and remove from front of the appliance.
10. Change door lock **E** above to the opposite side, screw down the door interlock.
11. On the other side, put cover **F** and let snap-in button to lock into position.

12. Put load door and hinges into recesses on the front of the appliance and screw down.

Note regarding contact protection: The appliance is only secure for operations again once all plastic parts have been put.

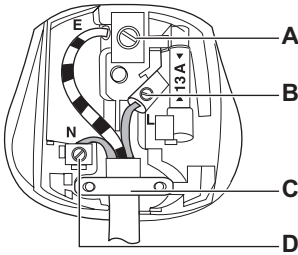
ELECTRICAL CONNECTION

- Connect the appliance to a grounded socket. Refer to the applicable electrical requirements.
- Make sure that the electrical data on the rating plate agrees with the power supply.
- Always use a correctly installed shockproof socket.
- Do not use multiple plugs and extension cables. There is a risk of fire.
- All replacements of power supply cable must be carried out by our Service.
- Make sure not to squash or cause damage to the mains plug and cable behind the appliance.
- Do not pull the mains cable to disconnect the appliance. Always pull the mains plug.
- The plug must be dry.

The data about mains voltage, type of current and the necessary fuse are on the rating plate and in the "TECHNICAL INFORMATION" chapter. The rating plate is behind the load door (see the "PRODUCT DESCRIPTION" chapter).

The appliance has a power supply cable with plug fitted with 13 A fuse. If necessary, replace the fuse in the plug by 13 A ASTA BS 1363/A approved fuse.

The wires in the power supply cable are coloured as follow:



A) green and yellow - ground — earth
(**E**)

B) brown - live (**L**)

C) cord clamp

D) blue - neutral (**N**)

The green and yellow coloured wire must be connected to the terminal with **E** mark or the ground \perp mark or the green and yellow coloured terminal.

The blue coloured wire must be connected to the terminal **N** or black coloured .

The brown coloured wire must be connected to the terminal **L** or red coloured .

The wires of the cable must be no cut or stray strands of wire present and the cable clamp must be secure over the outer sheath.

Permanent connection

The necessary condition of permanent connection is to install a double-pole isolating switch directly on the supply terminals.

The type of switch must be correct for the necessary load and must align with applicable electrical requirements.

The switch must not break the yellow and green coloured ground wire.

Q - Warranty

AEG products are designed and built to the highest standards.
We expect your appliances to provide many years of trouble free enjoyment.
In the event of an appliance requiring attention, each appliance is covered by a 2 year warranty from the date of purchase.

Refer to warranty policy for complete terms and conditions.

Coverage is for costs of parts and labor for appliances in capital cities & metropolitan areas. We reserve the right to charge directly for handling expenses outside the metropolitan region.

AEG products are supported by a national service support system.
Call our customer service department for attention.

Please retain your invoice **AEG to quote should you require service assistance. This will identify your product for our priority service back-up. Please attach your invoice to this manual for easy future reference.**

AEG Canada
871 Cranberry Court
Oakville, Ontario L6L 6J7
Canada

Tel 905-829.3980
Fax 905-829.3985
email marketing@euro-line-appliances.com

For Service & Spares:
EURO-PARTS
1.800.678.8352

Important: Please record details of your purchase below and mail or fax to AEG

-----cut along line-----



Name: _____ TEL No _____
Address: _____
City : _____ State: _____ Zip Code: _____
Where purchased: _____ Purchase date: _____
Items purchased: _____
Serial No. (s): _____

AEG appliances are imported and distributed in North America by Euro-Line Appliances Inc.
For more information visit
www.euro-line-appliances.com / www.elawest.com

EURO-LINE APPLIANCES INC.

871 Cranberry Court
Oakville, ON L6L 6J7
Canada
Toll Free: 1.800.421.6332
Showroom: 905.829.3980
marketing@euro-line-appliances.com

EURO-LINE APPLIANCES WEST INC.

2912 West 4th Ave
Vancouver, BC V6K 1R2
Canada
Toll Free: 1.855.352-9378
Showroom: 604.235.3980
info@elawest.com