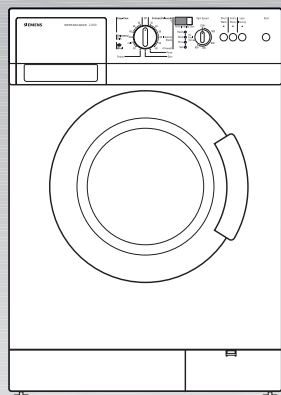


SIEMENS

Instruction Manual and Installation Instructions

en



EXTRAKLASSE 1300

Table of Contents

Operating Instructions

| | |
|--|----|
| Disposal Information | 4 |
| Environmental Protection / Conservation Issues . | 5 |
| General Safety Instructions | 6 |
| Your New Washing Machine | 7 |
| Before Using Your Washing Machine For the First Time | 9 |
| Preparing, sorting and loading the washing | 10 |
| Laundry Detergents and Additives | 15 |
| Programmes and functions | 17 |
| Washing | 24 |
| When the Programme has Ended | 26 |
| Special Applications | 27 |
| Cleaning and Care | 30 |
| Troubleshooting Minor Faults | 35 |
| Consumption Rates | 39 |
| Customer Service | 40 |
| Installation, Connection and Transport | 41 |

Installation Instructions

The new washing machine which you have just purchased is a modern, high-quality domestic appliance.

Your washing appliance is distinguished by its economical consumption of power, water and detergent.

Each washing machine which leaves our factory has undergone a thorough performance test and is in fully working order. If you have any queries – especially concerning installation and connection of the washing machine – our customer service will be happy to advise you.

Further information and a selection of our products can be found on our Internet page:
<http://www.siemens-international.com>

Please read and observe these operating and installation instructions and all other information enclosed with the washing machine.

Keep all documentation in a safe place for subsequent use or for the next owner of the appliance.

Disposal Information

Disposing of the packaging

The shipping package has protected your new appliance on its way to your home. All packaging materials are environment-friendly and recyclable. Please contribute to a better environment by disposing of packaging materials in an environmentally conscious manner.

Please ask your dealer or local authority about best means of disposal.

⚠ Danger of suffocation!

Keep children away from shipping carton and packaging components. Danger of suffocation from plastic film and folding cartons.

Disposing of your old appliance

Old appliances are not worthless rubbish! Environment-conscious recycling can reclaim valuable raw materials.

⚠ Danger of fatal injury!

On out-of service appliances, unplug mains plug. Cut off power cord and discard with mains plug.

To prevent playing children from becoming trapped and endangered, ensure that the door locking mechanism is disabled.

Environmental Protection / Conservation Issues

Your washing machine uses water, energy and detergent efficiently, thereby protecting the environment and reducing your household costs. See Page 38 for consumption values of your appliance.

Hints and tips

Using your washing machine in an efficient and environmentally friendly manner:

- ❑ Do not exceed maximum load.

| | |
|---------------------|------------------|
| Cottons-/ coloureds | 5.0 kg / 11.0 lb |
| Easy-care | 3.0 kg / 6.6 lb |
| Delicates / Silk | 2.0 kg / 4.4 lb |
| Wool | 2.0 kg / 4.4 lb |

With smaller amounts of laundry, the load adjust reduces the water and energy consumption.

- ❑ Where possible, use the 60 °C “Intensive Stains” programme instead of the 90 °C “Cottons / Coloureds” programme. The extended washing time achieves a cleaning result comparable to that of the 90 °C programme, but uses considerably less energy.
- ❑ Do not use prewash for lightly to normally soiled washing.
- ❑ Add detergent according to the degree of soiling, amount of laundry and water hardness, and observe the detergent manufacturer’s instructions.
- ❑ If washing is then to be dried in the tumble dryer, select spin speed in accordance with the instructions supplied by the dryer manufacturer.

General Safety Instructions

Your washing machine is intended:

- For domestic use only.
- For washing machine-washable fabrics in washing lye.
- For operation with cold drinking water and commercially available detergents and cleaning products which are suitable for use in washing machines.

Do not leave children unsupervised near the washing machine.

Keep pets away from the washing machine.

Do not insert/pull out the mains plug with wet hands.

Do not pull out the mains plug by tugging the cable.

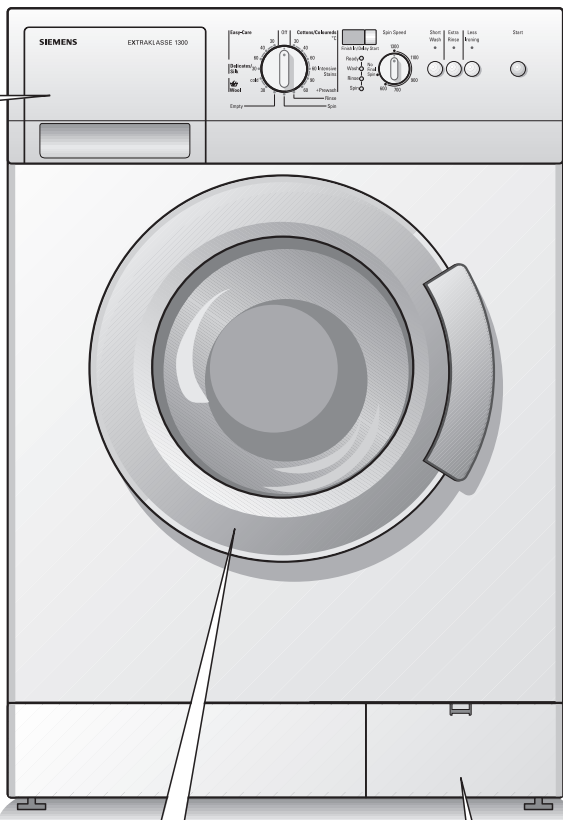
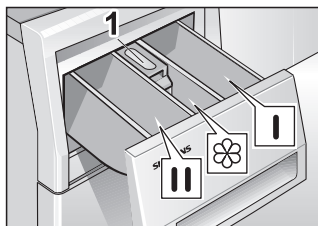
Do not touch the loading door when washing at high temperatures.

Take care when draining hot washing lye.

Do not climb on the washing machine.

Do not lean on the open loading door.

Your New Washing Machine



Filling laundry detergent and/or additive dispensers

Dispenser I:

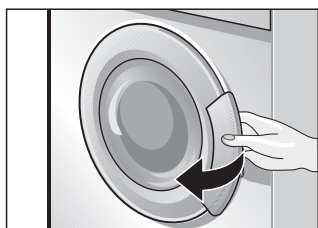
Detergent for prewash or starch.

Dispenser II:

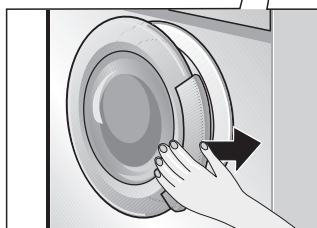
Detergent for main wash, water softener, pre-soaking agent, bleach and stain removal product.

Dispenser :

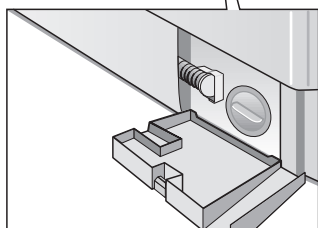
Additives, e.g. fabric softener or former (fill no higher than lower edge of insert 1).



Opening ...



and closing the door



Service flap

Control panel

“Delay Start” button.

(if required)

The time can be delayed by hours up to a maximum of “19h”.

“Finish In” display,

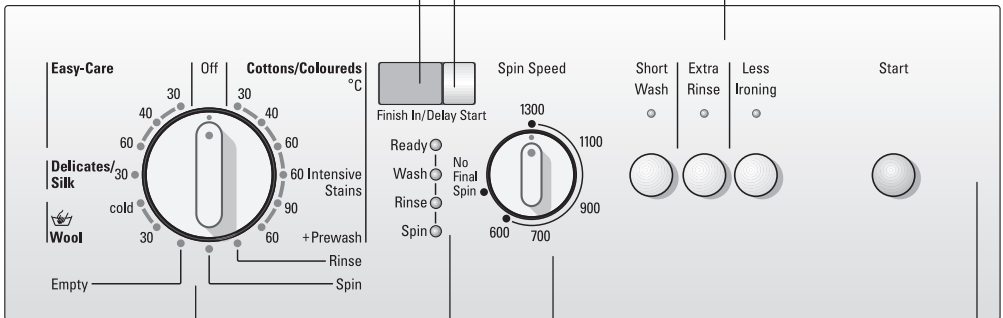
if the programme is selected,

“Delay Start” display,

if the “Delay Start” is additionally selected.

The point between the digit and “h” flashes until the “Delay Start” has elapsed.

The selected programme then starts automatically and the “Finish In”-time is displayed.



Programme selector

For switching the machine on and off and for selecting the programme.

Can be rotated in either direction.

The programme selector does not rotate while the programme is running – the programme sequence is electronically controlled.

Indicator light

“Ready” is on, if the programme is selected,

“Wash”, “Rinse”, and “Spin” light up if the “Start” button is pressed and the respective programme segment runs.

Indicator lights flash: Operation error.

Buttons for additional options

(in addition to the programme if required)

“Short Wash”: Reduced programme duration.

“Extra Rinse”: Extra rinse cycle

“Less Ironing”: creases are reduced.

Combination of additional options is possible before starting a programme.

The indicator lights of the buttons come on, if the additional options are active.

Switch off additional option: press button again.

Spin speed selector

(if required)

For stepless setting of the spin speed; must click in place at “No Final Spin”.

“Start” button.

For starting the wash cycle (programme must have been selected).

Before Using Your Washing Machine For the First Time

Preparing your washing machine

Caution

The washing machine must have been installed and connected properly (refer to Page 40).

Your appliance was tested before leaving the factory. To remove any water left over from testing procedures, the first washing cycle should be carried out without laundry in the machine.

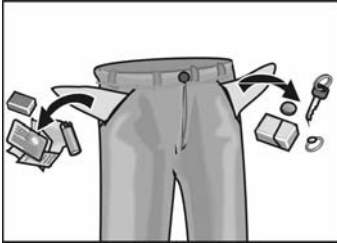
- Do not load any laundry.
- Turn on water tap.
- Pull out the detergent dispenser up to the end stop.
- Pour approx. 1 litre / 1 $\frac{3}{4}$ pt of water into chamber II of the detergent dispenser.
- Half fill the measuring beaker with detergent and pour into chamber II.
- i** Do not use any special detergents for delicates or woollens (excessive foam).
- Close the detergent dispenser.
- Close the loading door.
- Set the programme selector to “90 °C Cottons / Coloureds”.
The “Ready” indicator light is on.
The “Finish In” time appears in the display.
- Press the “Start” button.
The programme starts.
The “Wash” indicator light is on.
- i** The indicator lights light up during the respective segments of the programme sequence.

The programme is ended if “0” appears in the display:

- Turn the programme selector to “Off”.

Preparing, sorting and loading the washing

Preparing the laundry



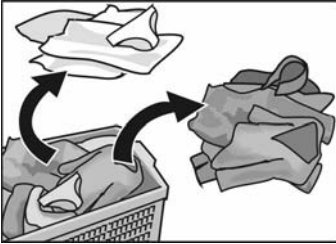
Caution

Loose debris (e.g. coins, paper clips, needles, nails) can damage items of clothing as well as parts of the washing machine (e.g. drum).

- Empty all pockets on items of clothing.
- Brush out any sand from pockets and cuffs.
- Close zip-fasteners and button up bed covers.
- Remove curtain runners or tie them up in a net / bag.
- The following items must be washed inside a net / pillow case:
 - Extremely delicate items, e.g. fine tights, net curtains.
 - Small items, e.g. small socks or handkerchiefs.
 - Underwired bras (the wire may come loose during washing and cause damage).
- When washing trousers, knitwear and woven fabrics, e.g. shirts, T-shirts or sweatshirts, always turn these items inside out.

Sorting the laundry

According to colour and degree of dirt



Degrees of dirt

Caution

Items of clothing can become discoloured. Never wash new multi-coloured items together with other items.

White items may become grey. Always wash white and coloured items separately.

Slight dirt

No recognizable dirt or staining. Laundry may have some body odour.

- Light summer clothing and sportswear that has only been worn for a few hours.
- T-shirts, shirts and blouses that have been worn for up to one day.
- Bed linen and guest towels that have been used for one day.

Normal dirt

Visible dirt and/or some light staining recognizable.

- T-shirts, shirts and blouses that are very sweaty or have been worn several times.
- Underwear that has been worn for one day.
- Tea towels, hand towels and bed linen that have been used for up to one week.
- Net curtains (without nicotine staining) that have not been washed for up to ½ year.

Intensive dirt

Dirt and/or staining recognizable.

- Kitchen hand towels that have been used for up to one week.
- Fabric napkins.
- Bibs.
- Children's outer clothing or football shirts and shorts with grass and soil stains.
- Working clothes such as overalls or baker's and butcher's coats.

Typical stains

- Skin fat, cooking oils / fat, sauces, mineral oil, wax (containing fat / oil).
- Tea, coffee, red wine, fruit, vegetables (bleachable).
- Blood, egg, milk, starch (containing protein / carbohydrate).
- Soot, soil, sand (pigments), red sand on tennis clothes.

Removing stains

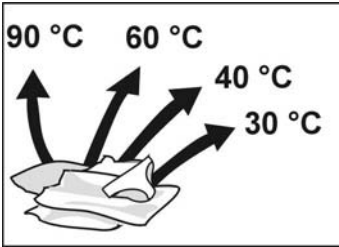
Wherever possible, remove / pretreat stains whilst they are still fresh.

First, dab soapy water onto the stain. Do not rub.

Subsequently wash the items of clothing using the appropriate programme.

- i** Several washing cycles may sometimes be required in order to remove stubborn / dried in stains.

Sorting laundry according to their care label specifications



90 °C Cottons / coloureds



30, 40, 60 °C Cottons /coloureds



30, 40, 60 °C Easy-care



30 °C Delicates / Silk



Hand and machine-washable woollens cold, 30 °C

Laundry that is labelled with the following care symbol must not be washed in the washing machine:



~~Washing machine bucket symbol~~ = do not wash

Loading the laundry

⚠ Risk of explosion!

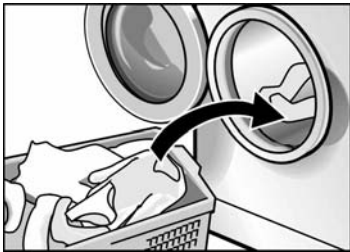
Items of clothing that have been pretreated with solvent-based cleaning agents, e.g. stain remover and dry cleaning spirit, represent an explosion hazard once loaded into the washing machine. Therefore, these items must first be rinsed thoroughly by hand.

Caution

Loose debris in the washing machine drum can damage the laundry. Before loading the laundry, check that there is no debris in the drum.



- Open the loading door.



- Unfold the sorted items of clothing and place them loosely into the drum. Mix up large and small items.
Items of varying size will distribute better during the spin cycle.

- i** Do not exceed the maximum load: Overloading will cause poor wash results and encourage creasing.



- Close the loading door.
Take care not to trap any items of clothing between the loading door and rubber seal.

Laundry Detergents and Additives

Dispensing the correct amount of detergent

⚠ Risk of poisoning!

Keep detergents and additives out of the reach of children.

Dispense the detergent according to:

- the water hardness. This information can be obtained from your local water authority.
- the amount of laundry.
- the amount of soil.
Information on soiling can be found on Page 11.
- the specifications of the detergent manufacturer.
Dispensing the correct amount of detergent relieves the strain on the environment and ensures optimum washing results.

Pour liquid detergent into the appropriate dispensing chamber.

Too little detergent:

The laundry is not cleaned properly and will, after a while, become grey and stiff.

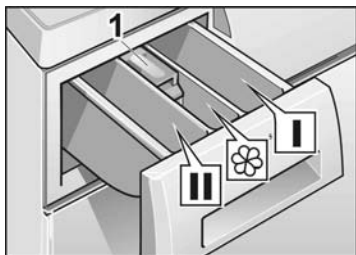
Greyish brown spots (fat globules) may appear on the laundry.

The heaters may calcify.

Too much detergent:

Environmentally incompatible, excessive foam reduces wash agitation causing poor washing and rinsing results.

Filling laundry detergent and/or additive dispensers



Dispenser I:
Detergent for prewash or starch.

Dispenser II
Detergent for main wash, water softener, pre-soaking agent, bleach and stain removal product.

Dispenser ☼
Additives, e.g. fabric softener or former (fill no higher than lower edge of insert **1**).

i Concentrated or thick fabric softener and conditioner must be diluted with a little water before being poured into the dispenser (prevents the overflow from becoming blocked).

- Pull out the detergent dispenser up to the end stop.
- Add the detergent and/or additive.
- Close the detergent dispenser.

Programmes and functions

Select the desired programme – see also the separate programme overview.

For maximum spin speeds of the programmes see Page 19.

Programme selector

Basic programmes

30, 40, 60 °C Cottons / Coloureds

For hard-wearing textiles, e.g. cotton or linen.

60 °C Intensive Stains

For stained, soiled textiles, e.g. cotton or linen.

Energy saving programme. The extended washing time achieves a cleaning result comparable to that of the 90 °C programme, but uses considerably less energy.

90 °C Cottons / Coloureds

An energy-intensive programme for heat-resistant textiles, e.g. cotton or linen.

To protect the waste-water pipes, the hot water is mixed with approx. 7 litres of cold water and cooled before being drained.

60 °C Cottons / Coloureds + Prewash

For hard-wearing textiles, e.g. cotton or linen.

30, 40, 60 °C Easy-Care

For easy-care textiles, e.g. cotton, linen, synthetic materials or blended fabrics.

30 °C Delicates / Silk

For delicate, washable textiles, e.g. silk, satin, synthetic materials or blended fabrics (e.g. curtains).

Delicates cycle at 30 °C for machine washable silk. We do not recommend washing these textiles with other rougher textiles.

To treat very delicate silk textiles even more gently, reduce the time by pressing the “Short Wash” button. No spinning between rinse cycles.



30 °C, cold Wool

For hand and machine washable wool or wool-rich textiles, e.g. cashmere, mohair or angora.

Also suited for hand washable silk.

Programme options

Rinse

Rinse cycle with subsequent spin cycle for rinsing hand-washed laundry or for starching.

Reduced spin speed.

Spin

Spin cycle for spinning hand-washed items after selection of required speed. Washing solution or rinsing water is drained prior to the spin cycle.

Reduced spin speed.

Empty

Water is drained after a programme with the “No Final Spin” setting for gentle treatment of delicate laundry.

Spin speed selector

Basic setting

The spin speed selector is pointing up. In the “Cottons / Coloureds” programme the fabrics will be spun at the maximum possible spin speed.

In the “Easy-Care”, “Delicates / Silk” and “Wool” programmes the washing machine spins at a low speed – for gentle treatment of delicate laundry.

Maximum spin speeds

| Revolutions per minute | Type of laundry / Extra cycle |
|------------------------|-------------------------------|
| 1300 | Cottons / coloureds |
| 800 | Easy-care |
| 600 | Delicates / Silk |
| 800 | Wool |
| 1200 | Rinse |
| 1200 | Spin |

Additional option

No Final Spin

For delicate textiles and net curtains. The laundry is left in the final rinsing water.

“---” appears in the “Finish In”-display when programme is ended.

Before the washing can be removed, the “Empty” or “Spin” programme must be run by setting the speed selector to the required speed.

Option buttons

Short Wash

Reduced wash time – only 2 rinse cycles.
Suited for slightly soiled laundry.

Recommended load: up to a maximum of 3 kg.

Extra Rinse

An additional rinse cycle is carried out;
The wash time is extended accordingly.

Recommended applications:

- in areas with very soft water,
- for further improvement of the rinsing results.

Less Ironing

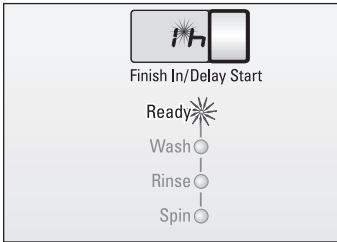
Special spin cycle with subsequent fluffing.
After the spin cycle the washing is arranged loosely
in the drum – creasing is reduced.

For the programme “Cottons / Coloureds”, the
maximum speed is automatically reduced to
800 r.p.m.

Note maximum load for each type of textile;
remove the laundry as soon as the spin cycle
is complete.

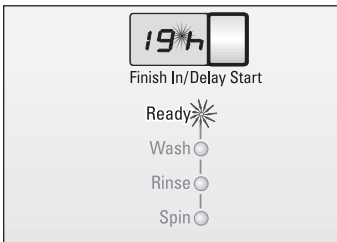
“Delay Start” display and button

Before starting a programme, you can specify by how many hours the “Delay Start” should be delayed.



- Turn the programme selector to the desired programme.
The “Ready” indicator light is on.
The expected “Finish In” time will be displayed.
- Press the “Delay Start” button, “1 h” (h=hour) appears in the display.
The point between the digit and the “h” flashes.

Example:



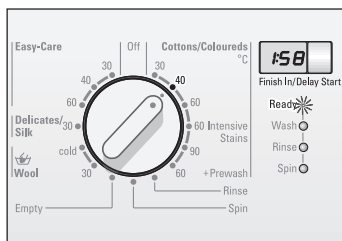
- Press the “Delay Start” button until the desired number of hours is displayed.
- The “Delay Start” time can be set by hours.
The time can be delayed up to a maximum of “19 h”.
If the “Delay Start” time is set for “19h”, you can arrive at the “Finish In” mode by pressing the “Delay Start” button again.

The “Delay Start” time begins running immediately after setting. This is indicated by the point between the digit and the “h” flashing. The point flashes until the “Delay Start” time has elapsed.

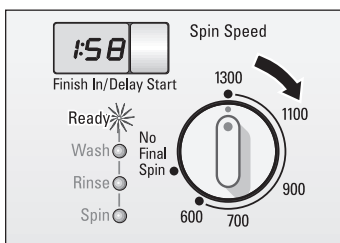
- The “Delay Start” time is counted down by the hour.
The programme is automatically started after the “Delay Start” time has elapsed.
The indicator light of the respective programme segment comes on. The “Finish In” time appears in the display.
- Changes to the “Delay Start” time are possible at any time, press the “Delay Start” button until the new number of hours appears, in order to do this. The new “Delay Start” time elapses without having to restart the programme.

- i** If the programme sequence is changed, or if the programme is interrupted, the preselected “Delay Start” time is also interrupted. The “Finish In” time of the newly selected programme appears in the display. The “Delay Start” time must be reselected.
- i** Topping up laundry is possible at any time during the “Delay Start”time . Close the loading door.

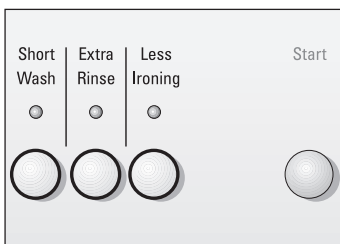
Washing



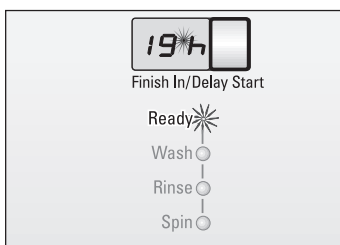
- ❑ Turn the programme selector to the desired programme – see also the separate programme overview
The “Ready” indicator light is on.
The “Finish In” time is displayed.



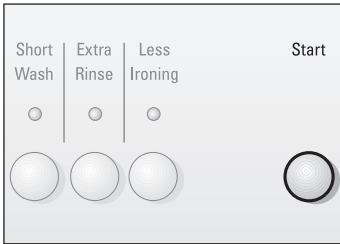
- ❑ If required, select the desired spin speed or “No Final Spin”.



- ❑ If required, press the button(s) for additional option(s).



- ❑ If required, select the “Delay Start” time.
The “Delay Start” time begins running immediately.
The programme starts automatically after the “Delay Start” time has elapsed.



- Press the “Start” button.
The programme starts.

Changing a programme

If you have accidentally selected the wrong programme:

- Turn the programme selector to “Off”.
- Turn the programme selector to the desired programme.
The “Ready” indicator light is on.
- If required, select a new starting time with the “Delay Start” button.
- If required, press the “Start” button.

Cancelling active programme

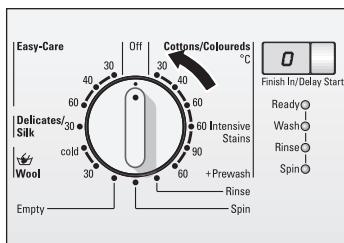
If you wish to prematurely end a programme:

- Turn the programme selector to “Off”.
- Turn the programme selector to “Empty” or “Spin”.
The “Ready” indicator light is on.

For “Spin”, select the desired spin speed (but not “No Final Spin”).

- Press the “Start” button.

When the Programme has Ended



“0” or “---” appears in the display.

- Turn the programme selector to “Off” and if required
- Select an additional programme (“Empty”, “Spin” or “Rinse”).
- Press the “Start” button.
- At the end of the additional programme turn the programme selector to “Off”.

Unloading the laundry

- Open the loading door.

If the loading door cannot be opened:
Wait 2 minutes (the safety function is active)
or

there is still water in the washing machine if the “No Final Spin” option was selected.
Select the “Empty” or “Spin” programme and press the “Start” button.

- Unload the laundry.

Caution

Remove any foreign objects (e.g. coins, paper clips) from the drum and rubber seal – **risk of rust!**

- Leave the loading door open to allow the inside of the washing machine to dry out.



Special Applications

Pre-soak

- Load laundry of the same colour.
- Add the presoak agent to chamber II according to the manufacturer's specifications.
- Turn the programme selector to "30 °C Cottons / Coloureds".
The "Ready" indicator light is on.
- Press the "Start" button.
The "Wash" indicator light is on, programme is running.
- After approx. 15 minutes, turn the programme selector to "Off". The laundry is left to lie in the water.
- Select a programme after the desired soaking period.
- i** No additional detergent required, the soaking solution is used for washing.

Starching

The laundry must not be treated with fabric softener.

- Load the laundry.
- Dispense the correct amount of starch for approx. 15 litres / 3.3 gal. of water. Powdered starch must first be dissolved in water according to the manufacturer's specifications.
- Turn the programme selector to "Rinse".
- Set the spin speed
("No Final Spin" is also possible).
- Press the "Start" button.

As soon as water starts to enter the machine:

- Pull out the detergent dispenser slightly.
- Add the starching solution to chamber **I**.
- Close the detergent dispenser.

If the “No Final Spin” option is preselected, the “Empty” programme must subsequently be selected.

Dyeing

Only use dyes that are environmentally compatible and suitable for use in washing machines.

Caution

Discoloration of the laundry in subsequent wash cycles cannot be completely ruled out.

- Always use dyes in accordance with the manufacturer’s instructions.

After dyeing:

- Pour ½ measuring beaker of detergent into dispenser **II**.
- Without any laundry in the drum, allow the “90 °C Cottons / Coloureds” programme to run through.
- Wipe out the rubber seal.

Decolorizing

Caution

Decolorants may contain sulphur or chlorine. These substances can cause parts of the washing machine to corrode. Do not decolorize items of laundry in the washing machine.

Cleaning and Care

⚠ Risk of electric shock!

Always disconnect the appliance from the mains before cleaning.

Never clean the washing machine with a jet of water.

⚠ Risk of explosion!

Never use solvents to clean the appliance.

As required:

- Use hot soapy water or a mild, non-abrasive cleaning agent.
- Rub dry with a soft towel.

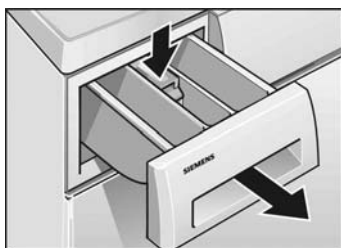
In the event that rust spots have formed due to left-over debris (e.g. coins, paper clips, needles, nails):

- Use a chlorine-free cleaning agent. Follow the manufacturer's instructions. Never use steel wool.

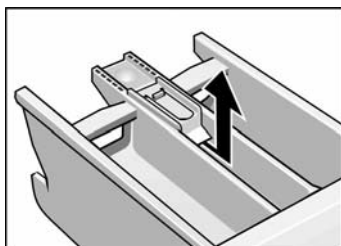
Cleaning the appliance housing and control panel

Cleaning the drum

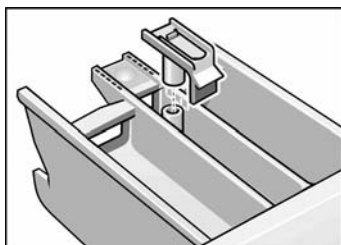
Cleaning the detergent dispenser



- Pull out the detergent dispenser up to the end stop,
- Press down the insert and
- Remove the detergent dispenser.



- Pull out the insert.
- Clean the detergent dispenser and insert under running water and dry.



- Attach the insert and lock into position.
- Insert the detergent dispenser.

Cleaning the drain pump

Draining the washing solution

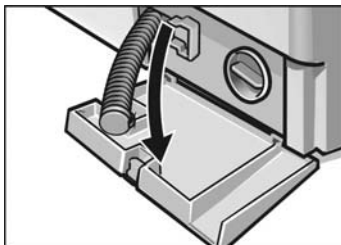
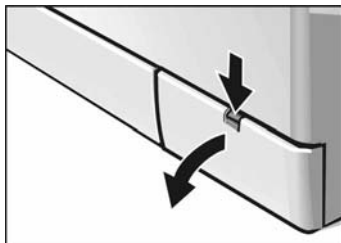
This is necessary if the washing solution has not been completely drained. The pump is blocked by either loose debris or fluff which accumulates if fluff-giving fabrics are washed.

(Up to 20 litres / 4.4 gal. Have a suitable container ready.)

⚠ Risk of scalding!

Allow the hot washing solution to cool.
Keep children and pets away.

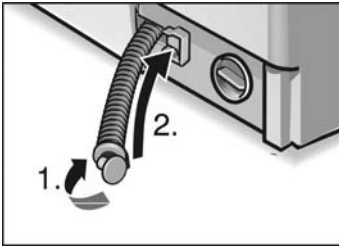
- Turn the programme selector to "Off".
- Open service flap.



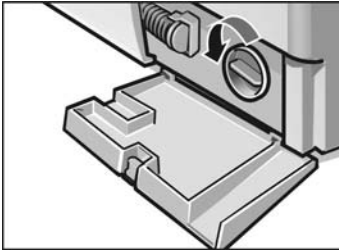
- Remove the drain hose from its holder and pull the hose out of the housing.
- Remove service flap.



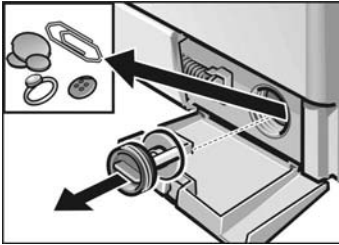
- Pull down the closing cap and allow the washing lye to flow into a suitable container.



- ❑ Push up the closing cap (1st) and place the drain hose back in its holder (2nd).



- ❑ Carefully remove the pump cap. A little residual water will flow out.
- ❑ Remove any loose debris / fluff from inside the pump and clean the pump. The pump impeller must be able to rotate. Clean any residual lye or fluff from the thread of the pump cap and pump housing.

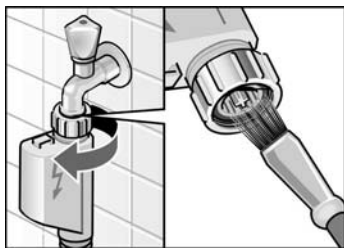


- ❑ Attach and tighten the pump cap.
- ❑ Insert and close service flap.

To avoid unused detergent from flowing into the drain during the next wash cycle:

- ❑ Pour 1 litre / 1 ¾ pt of water into chamber II.
- ❑ Select the "Empty" programme.

Cleaning water inlet strainers



This is necessary if very little or no water flows into the washing machine. The “Wash” indicator light flashes.

First release the water pressure in the supply hose:

- Turn off the water tap.
- Turn the programme selector to any programme (except “Spin” and “Empty”).
- Press the “Start” button, and allow the programme to run for approx. 40 seconds.
- Turn the programme selector to “Off”.
- Disconnect the hose from the water tap.
- Clean filter with a small brush or paint brush.
- Connect the hose.
- Turn on water tap.
- Check whether water is coming out of the end of the hose.
If water is still discharged, check that the strainer is attached properly.

Descaling the washing machine

Caution

Descaling agents contain acids which can attack parts of the washing machine and discolour the laundry.

Provided that you use the correct amount of detergent, it is not necessary to descale the washing machine.

If, however, descaling the appliance becomes necessary, please follow the instructions provided by the descaling agent manufacturer.

Troubleshooting Minor Faults

⚠ Risk of electric shock!

Repairs must only be carried out by our Customer Service or an authorized technician.

If repairs are needed, and assuming that you cannot eliminate the fault yourself with the aid the following table:

- Turn the programme selector to “Off”.
- Disconnect the washing machine from the mains.
- Turn off the water tap.
- Call Customer Service (refer to Page 39).

| Fault | Cause | Action |
|---|-------------------------------|---|
| The loading door cannot be opened. | “No Final Spin” was selected. | Select “Empty” or “Spin”. |
| | Safety function is active. | Wait for 2 minutes. |
| Detergent residue in the detergent dispenser. | Detergent was damp or lumpy. | Clean and dry the detergent dispenser; see Page 30. |
| | | Use the dispensing aid for liquid detergents. |
| Control lights do not come on. | A fuse has triggered. | Switch on / replace the fuse. |
| | Power failure. | Call Customer Service if this fault is repeated. |
| | | An interrupted programme will be resumed when the power returns. If the washing is to be removed, proceed as described under “Cleaning the drain pump”; see from Page 31. |
| Plug is loose or not inserted. | | |

| Fault | Cause | Action |
|--|---|--|
| Programme does not start. The "Ready" indicator flashes. | Loading door not closed properly. | Check whether laundry is trapped in door. Close the loading door (a click should be heard). |
| Programme does not start. | "Start" button not pressed. | Press the "Start" button. |
| Water does enter the machine or detergent is not washed away. The "Wash" indicator flashes. | Water tap not turned on. Supply hose kinked or trapped. Strainer in supply hose clogged. | Turn on water tap. Clean the strainer; see from Page 33. |
| Detergent in chamber I is not washed away. | A programme without Prewash was selected. | Select "60 °C Cottons / Coloureds with prewash". |
| Water cannot be seen in drum. | This is not a fault. The water lies below the visible part of the drum. | |
| Washing solution is not completely drained. The "Rinse" indicator light flashes. | Loose debris is blocking the pump. Fluff-producing laundry was washed. The water drainage pipe or drain hose is blocked. | Clean the pump (refer to page 31). Clean the water drainage pipe and/or drain hose. |
| Water is flowing out from underneath the machine. | The thread of the supply hose is not tight. Leak in the drain hose. | Tighten the thread. Replace the drain hose. |
| Foam coming out of the detergent dispenser. | To much detergent. | Mix 1 tablespoon of fabric softener with ½ litre / 1 pt of water and pour into chamber II of the detergent dispenser. Reduce the amount of detergent next time. |
| The laundry was not spun. | Large items of clothing became entangled and could not be distributed evenly in the drum. For safety reasons, the high-speed final spin cycle was automatically cancelled. | Always load large and small items together into the drum (see also imbalance compensation system). |

| Fault | Cause | Action |
|---|--|---|
| Spin result unsatisfactory. | <p>“Less Ironing” button pressed – maximum spin speed of 800 r.p.m.</p> <p>The “Rinse” or “Spin” programme selected – maximum spin speed: see Page 19.</p> | |
| Repeated spinning. | <p>This is not a fault.</p> <p>The imbalance compensation system is attempting to balance the load through repeated spins.</p> | |
| The programme takes longer than usual. | <p>This is not a fault.</p> <p>Imbalance compensation system attempts to balance the laundry by repeated distribution.</p> <p>The foam detection feature has activated an additional rinsing cycle to reduce the amount of foam.</p> | <p>Wash large and small items together in order to reduce the imbalance.</p> <p>Add a more appropriate amount of detergent next time.</p> |
| Unsatisfactory washing result. | <p>The degree of dirt was higher than supposed.</p> <p>Not enough detergent.</p> | <p>Select suitable programme</p> <p>Add detergent according to the manufacturer’s specifications.</p> |
| Detergent residue on the laundry. | <p>Some phosphate-free detergents contain water-insoluble residues that may appear as light spots on the laundry.</p> | <p>Select “Rinse” immediately or brush out the washing after drying.</p> |
| Grey residues on the laundry. | <p>Dirt accumulation from ointments, fats or oils.</p> | <p>Add the maximum amount of detergent and select the highest permissible temperature next time.</p> |
| Display “0:00”, appliance is still washing (“Wash” indicator light illuminates) | <p>This is not a fault.</p> <p>Additional options were selected after the programme had started. The “Finish In” is corrected in the next programme section “Rinse”.</p> | |
| Changes in the “Finish In” time while the programme is running. | <p>This is not a fault.</p> <p>For this, see also the explanations under: “Finish In / Delay Start” displays and “Delay Start” button, page 21.</p> | |
| Reduction in the “Finish In” time | <p>This is not a fault.</p> <p>For small amounts of laundry, a reduction in time of approx. 20 minutes can result, depending on washing programme.</p> | |

| Fault | Cause | Action |
|------------------------------|---|---|
| Increase in "Finish In" time | In the case of excessive foam, the foam detection system has activated an additional rinse cycle and an additional spin cycle to ensure the rinsing result. | Reduce the amount of detergent next time. |
| | For severe imbalances during spinning, an increase in time of approx. 10 minutes can occur because of repeated distribution of the laundry. | Wash large and small items together in order to reduce the imbalance. |
| | If very cold water must be heated up, an increase in time of approx. 20 minutes can result. | |

Consumption Rates

| Normal programme (without additional functions) | Load | Consumption rates ** | | |
|---|------------------|----------------------|-------|----------|
| | | Electricity | Water | Duration |
| 40 °C Coloureds | 5.0 kg* / 11 lb | 0.5 kWh | 49 l | 1:58 h |
| 60 °C Coloureds | 5.0 kg / 11 lb | 0.95 kWh | 49 l | 1:58 h |
| 60 °C Coloureds + Intensive Stains | 5.0 kg* / 11 lb | 0.95 kWh | 45 l | 2:10 h |
| 90 °C Cottons (the hot washing solution is mixed with approx. 7 litres of cold water before being drained) | 5.0 kg / 11 lb | 1.9 kWh | 56 l | 2:01 h |
| 40 °C Easy-care | 3.0 kg* / 6.6 lb | 0.5 kWh | 55 l | 1:20 h |
| 30 °C Delicates / Silk | 2.0 kg / 4.4 lb | 0.3 kWh | 50 l | 0:45 h |
| 30 °C Wool | 2.0 kg* / 4.4 lb | 0.3 kWh | 35 l | 0:50 h |

* Calculated from test programmes pursuant to EN 60 456: 1999 and IEC 60456 Ed.3 1998: 02

** The consumption rates may deviate from the stated values depending on water pressure and hardness, room temperature, type and amount of laundry, detergents used, fluctuations in the mains voltage and selected additional functions.

Customer Service

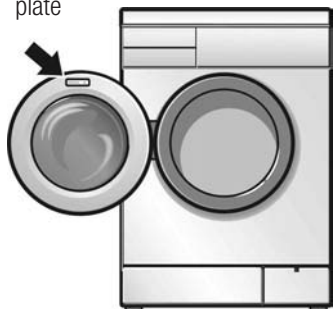
Before calling the Customer Service, please make sure that you cannot eliminate the fault yourself (refer to Page 34).

This is because consultation provided by our technicians, even within the warranty period, will lead to costs being incurred by yourself.

Your nearest Customer Service centre can be found in the index supplied. When calling the Customer Service, please specify the product number (E-Nr.) and production number (FD-Nr.) of your appliance.

These numbers are shown on the rating plate which can be found on the frame of the open door and also on the identification plate, enclosed by a thick line, on the front of the machine behind the nameplate.

Identification
plate



| | |
|-------------|----------|
| E-Nr. _____ | FD _____ |
|-------------|----------|

Product number

Production number

Please note the two numbers in the space provided above.

In specifying the product number and production number of your appliance, you help us in our attempt to prevent unnecessary travelling and the associated extra costs.

Installation, Connection and Transport

Safety instructions

⚠ Risk of injury!

The washing machine is very heavy. Take care when lifting it.

Caution

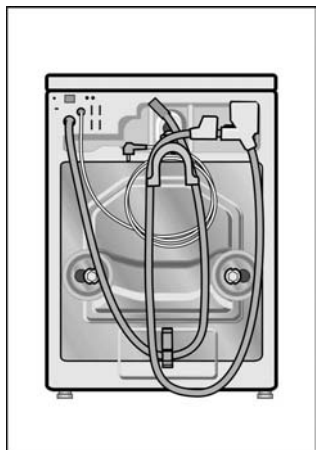
Frozen hoses can tear / burst. Do not install the washing machine outdoors or in an area prone to frost.

Take care not to damage the washing machine. Do not hold onto protruding parts (e.g. loading door) when lifting.

In addition to the safety information listed here, the local water and electricity supplier may have special requirements.

If in any doubt, have the water connection carried out by an authorized technician.

Supplied accessories



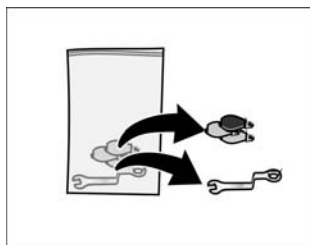
On the rear of the appliance:

- Water drainage hose.
- Water-inlet hose.
- Elbow for attaching the drain hose, e.g. into a wash basin.
- Power cord with mains plug.

Any dampness inside the drum is left over from final testing which every washing machine is subjected to before leaving the factory.

Depending on the connection situation:

- 1 hose clip Ø 24–40 mm (DIY store) is also required for connection to a siphon.



In the bag:

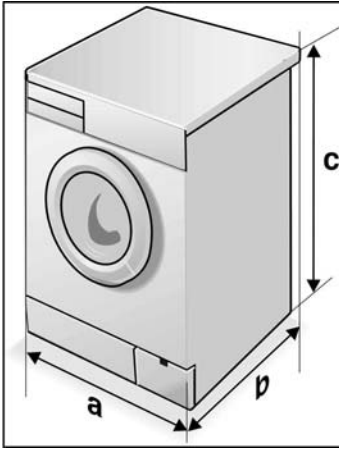
- Spanner,
- Covers for holes left by removing the transport bolts.

Useful tools

The following tools are helpful:

- Ring wrench (SW 13) for removing the transport bolts.
- Spirit level for aligning the appliance.

Dimensions



a = 600 mm

b = 590 mm

c = 852 mm

Approx. weight = 69 kg

Installation area

Appliance stability is important so that the washing machine does not “wander” during the spin cycles.

The installation area must be solid and even. Soft floor surfaces, such as carpets or surfaces with foam backing, are not suitable.

If the washing machine is to be installed on a wood joist ceiling:

- If possible, place the washing machine in a corner of the room.
- Screw a water-resistant wooden board (at least 30 mm thick) to the floor.
- Affix the feet of the washing machine using holding brackets *.

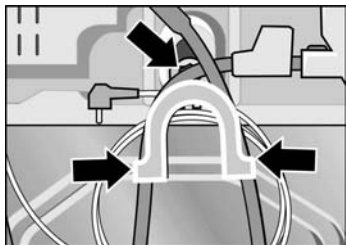
If the washing machine is to be placed on a pedestal:

- Affix the feet of the washing machine using holding brackets *.

* Holding brackets (set) can be obtained from a specialist store or the Customer Service (order no. WX 9756).

Removing the transport bolts

Before removing the transport bolts



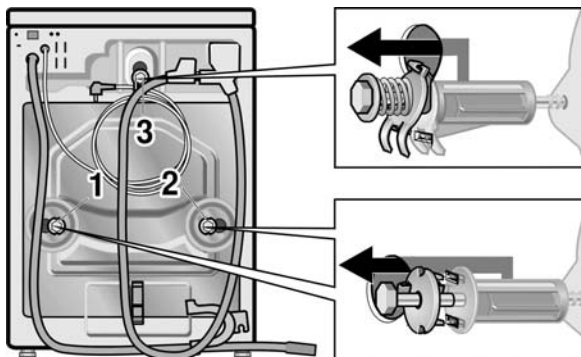
Removing the transport bolts

Caution

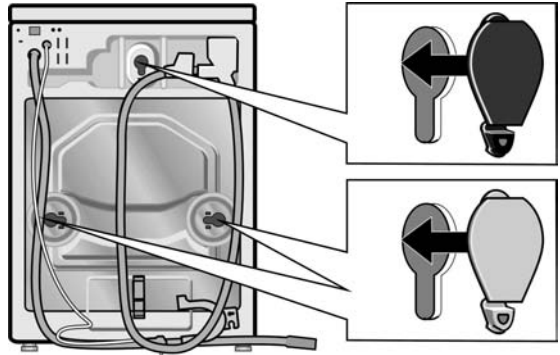
The transport bolts must always be completely removed before using the appliance for the first time.

- Take the hoses out of the holders.
- Detach the elbow.

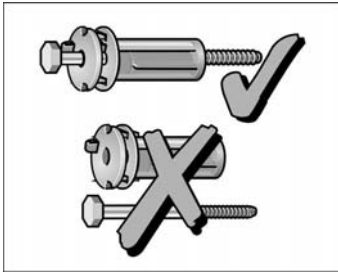
- Release screws **1**, **2** and **3** using the SW 13 wrench until they can be moved freely.
- Completely remove transport bolts **1** and **2** (bolt, washer and bushing).
- Completely remove transport bolt **3** (bolt, spring, washer and bushing), gripping the drum with one hand through the open door and pulling forwards slightly.



- Insert the covers.



Storing the transport bolts

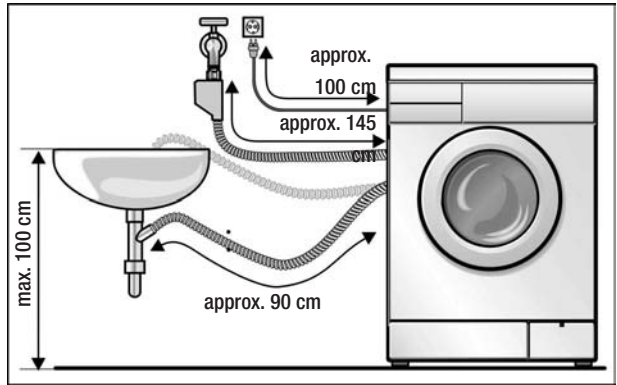


Always keep the transport bolts for subsequent transportation of the appliance (e.g. when moving house).

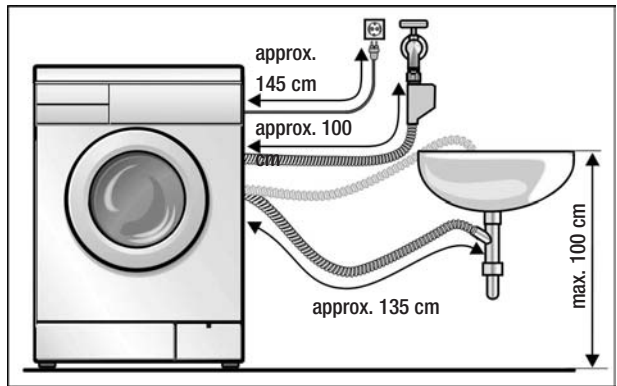
- Store transport bolts **1** and **2** (screw washer and bushing onto bolt).

Hose and cable lengths

Left-hand connection



Right-hand connection



Aqua-Stop extension hose

Available in kit form from specialist outlets:

- Connecting kit with plastic hose (approx. 2.50 m), order no. WZ 10130).

Water connection

Water supply

⚠ Risk of electric shock!

Do not immerse Aqua-Stop safety device in water (contains electrically operated valve).

Caution

Operate the washing machine with cold drinking water only. Do not connect the appliance to the mixer tap of an unpressurized hot-water boiler.

If in any doubt, have the water connection carried out by an authorized technician.

The water supply hose must not be:

- Bent or squashed.
- Modified or cut through (stability can no longer be guaranteed).

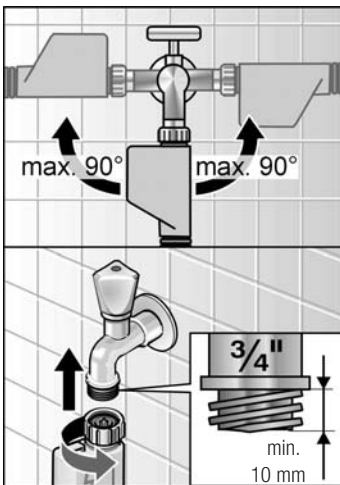
Observe the water pressure in the supply network:

- The water pressure should be between 1 and 10 bars (when the tap is turned on, at least 8 litres of water is discharged per minute).
- A pressure reducing valve must be installed if the maximum water pressure is exceeded.

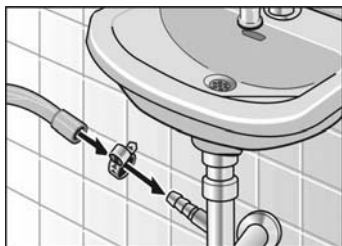
- Connect the water supply hose to the tap.

Subsequent to connection:

- Turn on water tap.
- Check the connection points for leaks.



Water drainage



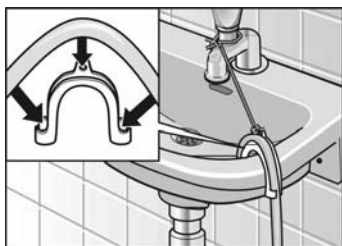
Caution

Do not bend or pull the water drainage hose.

Height difference between the placement area and drainage point: Maximum 100 cm.

Drainage into a siphon:

- ❑ Secure the connection point with a hose band clip of 24–40 mm diameter (from specialist stores).



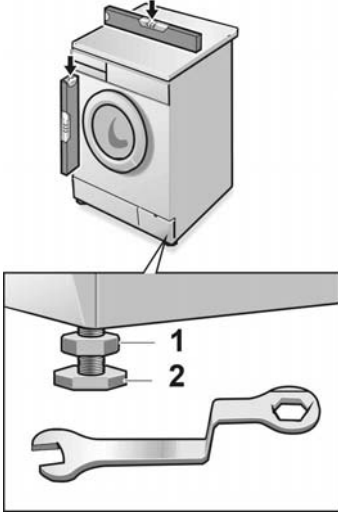
Drainage into a wash basin:

Caution

The plug must not block the drain of the wash basin.

- ❑ Secure the water drainage hose so that it does not slide out.
- ❑ When water is being drained, check that the water flow is fast enough.

Levelling procedure



All four appliance feet must be firmly on the ground. The washing machine must not wobble.

Level the washing machine with the assistance of the four adjustable feet and a spirit level:

- Loosen the counter-nut **1** using the wrench.
- Adjust the height by means of turning the appliance foot **2**.
- Tighten the counter nut **1** against the housing.

Electrical connection

Caution

The washing machine must only be connected to alternating current and using a properly installed socket outlet with earthing contact.

The mains voltage must correspond to the voltage specification on the washing machine (nameplate). Connection specifications as well as the required fuses are stipulated on the appliance nameplate.


Make sure that:

- the mains plug fits the socket outlet.
- the cable cross-section is permissible.
- the earthing system is properly installed.

The mains cable may be replaced by an electrician only.

Replacement mains cable available from customer service.

Do not use multiple plugs / connectors or extension cables.

In the event that an earth-leakage circuit breaker is to be used, only use types marked with the following symbol: .

Only this symbol can guarantee compliance with all current regulations.

Do not insert/pull out the mains plug with wet hands.

Do not pull out the mains plug by tugging the cable.

Transport, e.g. when moving

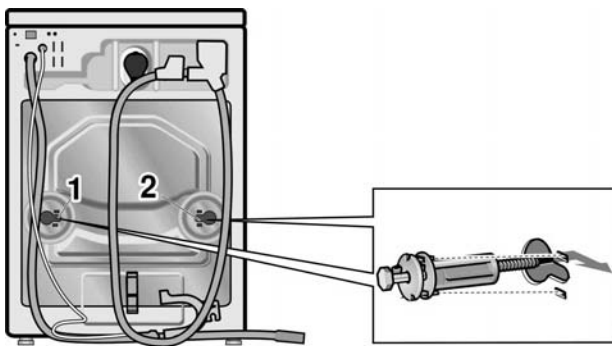
Before transporting the washing machine:

- Turn off the water tap.
- Release the water pressure in the supply hose (refer to page 33).
- Drain any residual washing solution (refer to page 31).
- Disconnect the washing machine from the mains.
- Detach the hoses.
- Install the lower 2 transport bolts.

Having transported the appliance and ensured proper installation and connection, allow the "Empty" programme to run through before starting the first wash programme.

Preparing and inserting the transport bolts

- Remove the 2 lower covers.
- Prepare the transport bolts:
Loosen the screw in the sleeve until the end of the screw is level with the end of the sleeve.
- Through the open washing machine door have a second person pull the top of the drum forwards and hold in this position.
Insert the transportation protection devices **1** and **2** and tighten the bolts. The washer lugs must be located in the groove in the rear panel of the housing.



Aqua-Stop warranty

In addition to claims against the vendor on the bill of sale and in addition to our appliance warranty, we offer a replacement on the following conditions:

- 1.** Should water damage be caused through a fault in our Aqua-Stop system, we will compensate the private user for the damages.
- 2.** This binding warranty is valid for the product service life of the appliance.
- 3.** Conditions of warranty claims are, that the appliance was with professionally installed and connected Aqua-Stop, in compliance with our instructions and includes the specialist Aqua-Stop extension (original accessories). Our warranty does not cover defective supply hoses or valves leading to the Aqua-Stop connection at the water tap.
- 4.** As a rule, it is not necessary to watch over appliances fitted with Aqua-Stop during operation. The water tap does not need to be turned off after operation. It is advisable, however, to turn off the water tap before a longer absence from your apartment, e.g. a vacation lasting several weeks.

